

atrin **electronic**

Expertise, variety and quality



www.atrinelec.com

آترین الکترونیک

تخصص، تنوع و کیفیت

02166766957 - 02166766927



info@atrinelec.com

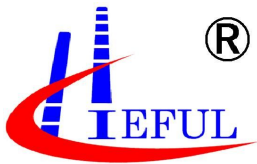


تهران پاساژ امجد طبقه 1 واحد 16



@atrinelec





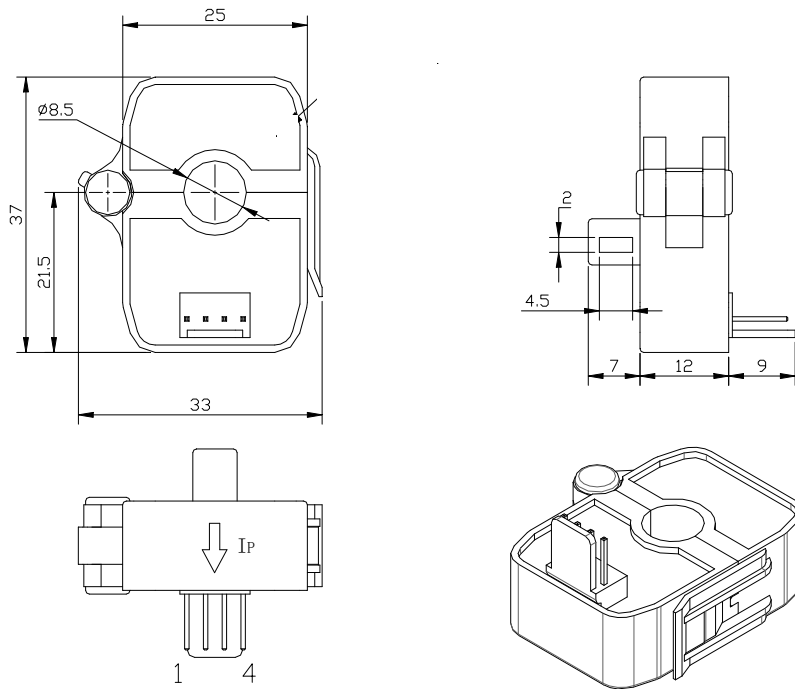
CS050EKET12H Hall-effect Current Sensor Series



Open loop current sensor based on the principle of Hall-effect. It can be used for measuring AC,DC,pulsed and mixed current.

Electrical characteristics						
Type	CS010EKET12H	CS020EKET12H	CS025EKET12H	CS050EKET12H		
I_{PN}	Primary nominal input current	10	20	25	50	A
I_P	Measuring range of primary current	0~±20	0~±40	0~±50	0~±80	A
V_{OUT}	Nominal output voltage	±1 (±1%)				V
V_C	Supply voltage	+12(±5%)				V
I_C	Current consumption	10				mA
V_d	Insulation voltage	AC/50Hz/1min	2.5		kV	
ε_L	Linearity	±1				%FS
V₀	Offset voltage	T _A =25℃	2.5±1%		V	
V_{OM}	Residual voltage	I _{PN} →0	<±10		mV	
V_{OT}	Thermal drift of V ₀	I _{PN} =0 T _A =-25~+85℃	<±0.5		mV/℃	
T_r	Response time	≤1				ms
f	Frequency bandwidth(-3dB)	DC~2.2				kHz
T_A	Ambient operating temperature	-25~+85				℃
T_S	Ambient storage temperature	-40~+100				℃
R_L	Load resistance	≥4.7				KΩ
m	Mass	21				g
	Standard	Q/320115QHKJ01-2010				

Dimensions of drawing (mm)



Elucidation: 1:+12V 2:NC 3: V_{OUT} 4:0V(GND)

Remarks

- Incorrect connection may lead to the damage of the sensor.
- V_{OUT} is positive when the I_P flows in the direction of the arrow.