

**atrin** **electronic**

Expertise, variety and quality



[www.atrinelec.com](http://www.atrinelec.com)

**آترین الکترونیک**

تخصص، تنوع و کیفیت

02166766957 - 02166766927



[info@atrinelec.com](mailto:info@atrinelec.com)



تهران پاساژ امجد طبقه 1 واحد 16



@atrinelec



# K9F1G08X0C

**INFORMATION IN THIS DOCUMENT IS PROVIDED IN RELATION TO SAMSUNG PRODUCTS, AND IS SUBJECT TO CHANGE WITHOUT NOTICE.**

**NOTHING IN THIS DOCUMENT SHALL BE CONSTRUED AS GRANTING ANY LICENSE, EXPRESS OR IMPLIED, BY ESTOPPEL OR OTHERWISE,**

**TO ANY INTELLECTUAL PROPERTY RIGHTS IN SAMSUNG PRODUCTS OR TECHNOLOGY. ALL INFORMATION IN THIS DOCUMENT IS PROVIDED**

**ON AS "AS IS" BASIS WITHOUT GUARANTEE OR WARRANTY OF ANY KIND.**

1. For updates or additional information about Samsung products, contact your nearest Samsung office.
2. Samsung products are not intended for use in life support, critical care, medical, safety equipment, or similar applications where Product failure could result in loss of life or personal or physical harm, or any military or defense application, or any governmental procurement to which special terms or provisions may apply.

\* Samsung Electronics reserves the right to change products or specification without notice.

**Document Title**

**128M x 8 Bit NAND Flash Memory**

**Revision History**

<u>Revision No</u>	<u>History</u>	<u>Draft Date</u>	<u>Remark</u>
0.0	1. Initial issue	April 19th, 2008	Advance
0.1	1. 2.7V device is added	April 25th, 2008	Advance

---

The attached data sheets are prepared and approved by SAMSUNG Electronics. SAMSUNG Electronics CO., LTD. reserve the right to change the specifications. SAMSUNG Electronics will evaluate and reply to your requests and questions about device. If you have any questions, please contact the SAMSUNG branch office near your office.

---

**128M x 8 Bit NAND Flash Memory**

**PRODUCT LIST**

Part Number	Vcc Range	Organization	PKG Type
K9F1G08B0C-P	2.5V ~ 2.9V	x8	TSOP1
K9F1G08U0C-P	2.7V ~ 3.6V		

**FEATURES**

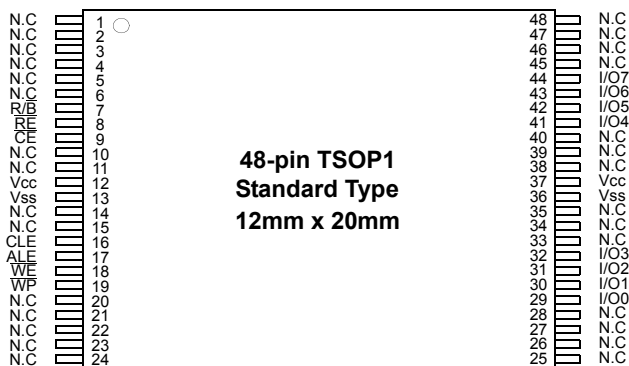
- Voltage Supply
  - 2.7V Device(K9F1G08B0C) : 2.5V ~ 2.9V
  - 3.3V Device(K9F1G08U0C) : 2.7V ~ 3.6V
- Organization
  - Memory Cell Array : (128M + 4M) x 8bit
  - Data Register : (2K + 64) x 8bit
- Automatic Program and Erase
  - Page Program : (2K + 64)Byte
  - Block Erase : (128K + 4K)Byte
- Page Read Operation
  - Page Size : (2K + 64)Byte
  - Random Read : 25µs(Max.)
  - Serial Access : 25ns(Min.)
- Fast Write Cycle Time
  - Page Program time : 200µs(Typ.)
  - Block Erase Time : 1.5ms(Typ.)
- Command/Address/Data Multiplexed I/O Port
- Hardware Data Protection
  - Program/Erase Lockout During Power Transitions
- Reliable CMOS Floating-Gate Technology
  - Endurance : TBD Program/Erase Cycles(with 1bit/512Byte ECC)
  - Data Retention : TBD
- Command Driven Operation
- Intelligent Copy-Back with internal 1bit/528Byte EDC
- Unique ID for Copyright Protection
- Package :
  - K9F1G08B0C-PCB0/PIB0 : Pb-FREE PACKAGE  
48 - Pin TSOP I (12 x 20 / 0.5 mm pitch)
  - K9F1G08U0C-PCB0/PIB0 : Pb-FREE PACKAGE  
48 - Pin TSOP I (12 x 20 / 0.5 mm pitch)

**GENERAL DESCRIPTION**

Offered in 128Mx8bit, the K9F1G08X0C is a 1G-bit NAND Flash Memory with spare 32M-bit. Its NAND cell provides the most cost-effective solution for the solid state application market. A program operation can be performed in typical 200µs on the (2K+64)Byte page and an erase operation can be performed in typical 1.5ms on a (128K+4K)Byte block. Data in the data register can be read out at 25ns cycle time per Byte. The I/O pins serve as the ports for address and data input/output as well as command input. The on-chip write controller automates all program and erase functions including pulse repetition, where required, and internal verification and margining of data. Even the write-intensive systems can take advantage of the K9F1G08X0C's extended reliability of TBD program/erase cycles by providing ECC(Error Correcting Code) with real time mapping-out algorithm. The K9F1G08X0C is an optimum solution for large nonvolatile storage applications such as solid state file storage and other portable applications requiring non-volatility.

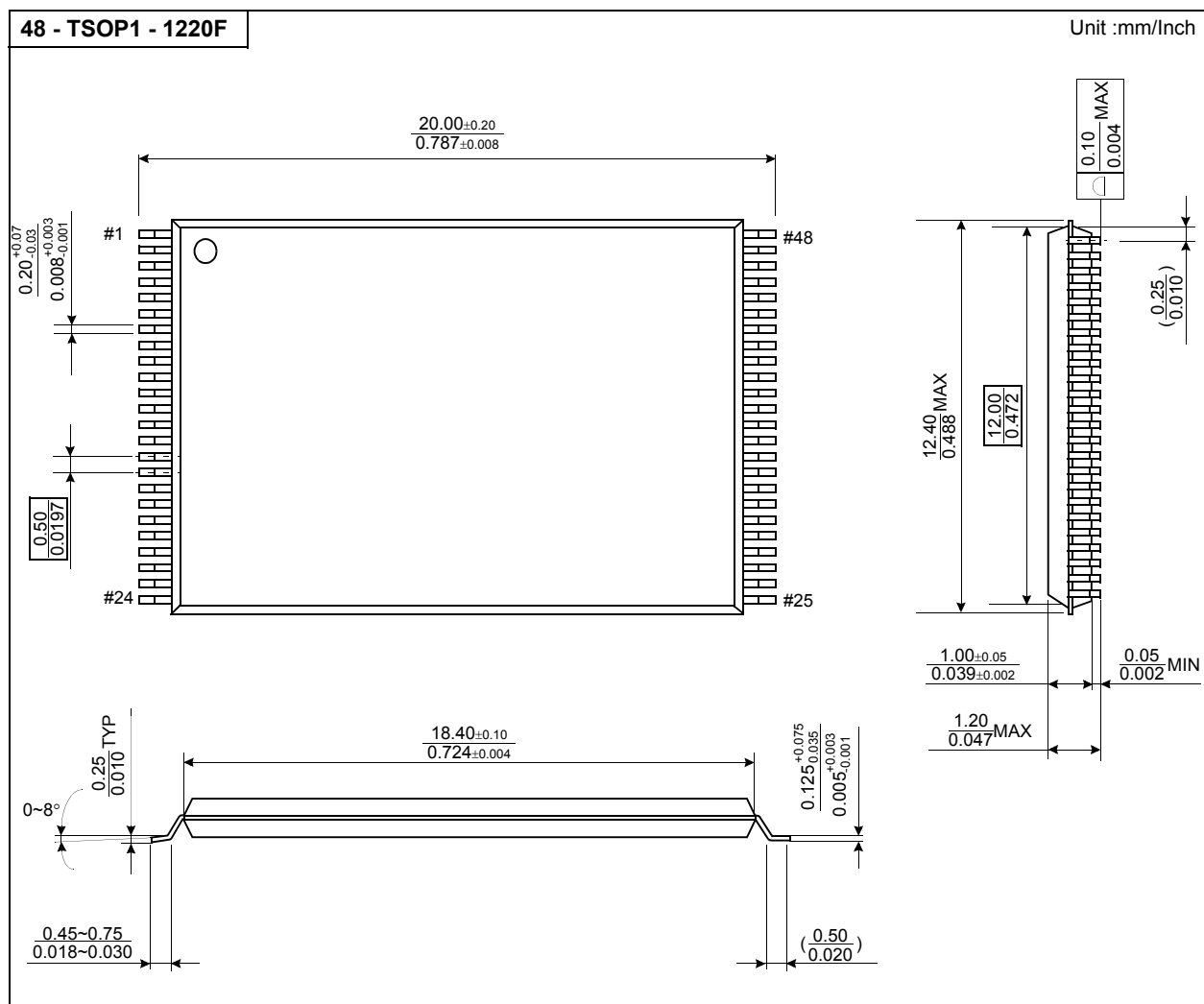
PIN CONFIGURATION (TSOP1)

K9F1G08X0C-PCB0/PIB0



PACKAGE DIMENSIONS

48-PIN LEAD FREE PLASTIC THIN SMALL OUT-LINE PACKAGE TYPE(I)



**PIN DESCRIPTION**

Pin Name	Pin Function
I/O <sub>0</sub> ~ I/O <sub>7</sub>	<b>DATA INPUTS/OUTPUTS</b> The I/O pins are used to input command, address and data, and to output data during read operations. The I/O pins float to high-z when the chip is deselected or when the outputs are disabled.
CLE	<b>COMMAND LATCH ENABLE</b> The CLE input controls the activating path for commands sent to the command register. When active high, commands are latched into the command register through the I/O ports on the rising edge of the $\overline{WE}$ signal.
ALE	<b>ADDRESS LATCH ENABLE</b> The ALE input controls the activating path for address to the internal address registers. Addresses are latched on the rising edge of $\overline{WE}$ with ALE high.
$\overline{CE}$	<b>CHIP ENABLE</b> The $\overline{CE}$ input is the device selection control. When the device is in the Busy state, $\overline{CE}$ high is ignored, and the device does not return to standby mode in program or erase operation.
$\overline{RE}$	<b>READ ENABLE</b> The $\overline{RE}$ input is the serial data-out control, and when active drives the data onto the I/O bus. Data is valid t <sub>REA</sub> after the falling edge of $\overline{RE}$ which also increments the internal column address counter by one.
$\overline{WE}$	<b>WRITE ENABLE</b> The $\overline{WE}$ input controls writes to the I/O port. Commands, address and data are latched on the rising edge of the $\overline{WE}$ pulse.
$\overline{WP}$	<b>WRITE PROTECT</b> The $\overline{WP}$ pin provides inadvertent program/erase protection during power transitions. The internal high voltage generator is reset when the $\overline{WP}$ pin is active low.
R/ $\overline{B}$	<b>READY/BUSY OUTPUT</b> The R/ $\overline{B}$ output indicates the status of the device operation. When low, it indicates that a program, erase or random read operation is in process and returns to high state upon completion. It is an open drain output and does not float to high-z condition when the chip is deselected or when outputs are disabled.
V <sub>cc</sub>	<b>POWER</b> V <sub>cc</sub> is the power supply for device.
V <sub>ss</sub>	<b>GROUND</b>
N.C	<b>NO CONNECTION</b> Lead is not internally connected.

Note : Connect all V<sub>cc</sub> and V<sub>ss</sub> pins of each device to common power supply outputs.  
Do not leave V<sub>cc</sub> or V<sub>ss</sub> disconnected.

Figure 1. K9F1G08X0C Functional Block Diagram

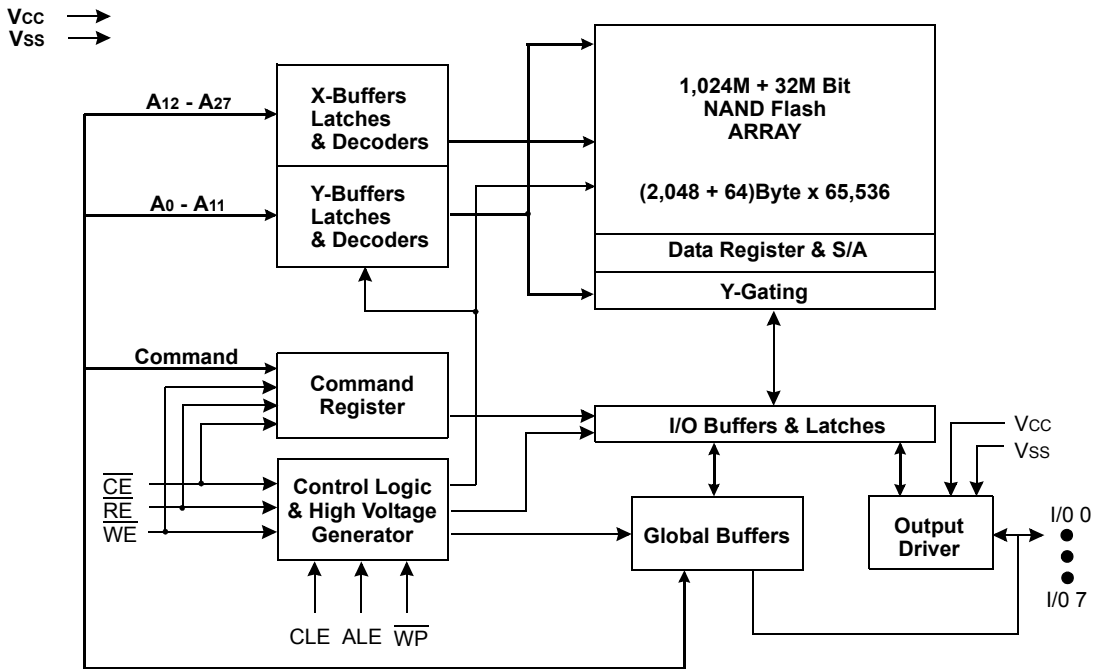
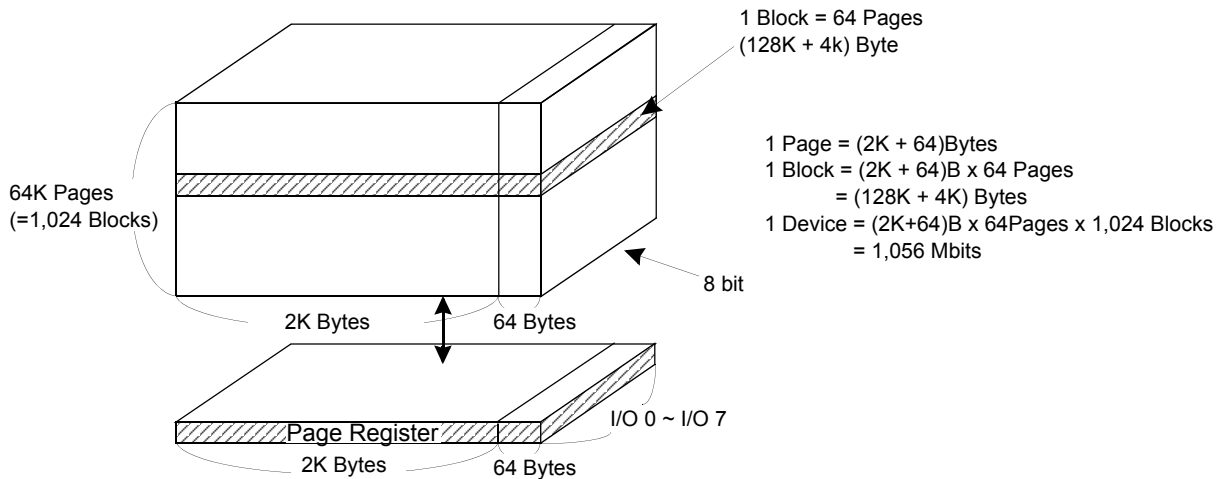


Figure 2. K9F1G08X0C Array Organization



	I/O 0	I/O 1	I/O 2	I/O 3	I/O 4	I/O 5	I/O 6	I/O 7	
1st Cycle	A0	A1	A2	A3	A4	A5	A6	A7	Column Address
2nd Cycle	A8	A9	A10	A11	*L	*L	*L	*L	Column Address
3rd Cycle	A12	A13	A14	A15	A16	A17	A18	A19	Row Address
4th Cycle	A20	A21	A22	A23	A24	A25	A26	A27	Row Address

Note : Column Address : Starting Address of the Register.

\* L must be set to "Low".

\* The device ignores any additional input of address cycles than required.

**Product Introduction**

The K9F1G08X0C is a 1,056Mbit(1,107,296,256 bit) memory organized as 65,536 rows(pages) by 2,112x8 columns. Spare 64x8 columns are located from column address of 2,048~2,111. A 2,112-byte data register is connected to memory cell arrays accommodating data transfer between the I/O buffers and memory during page read and page program operations. The memory array is made up of 32 cells that are serially connected to form a NAND structure. Each of the 32 cells resides in a different page. A block consists of two NAND structured strings. A NAND structure consists of 32 cells. Total 1,081,344 NAND cells reside in a block. The program and read operations are executed on a page basis, while the erase operation is executed on a block basis. The memory array consists of 1,024 separately erasable 128K-byte blocks. It indicates that the bit by bit erase operation is prohibited on the K9F1G08X0C.

The K9F1G08X0C has addresses multiplexed into 8 I/Os. This scheme dramatically reduces pin counts and allows system upgrades to future densities by maintaining consistency in system board design. Command, address and data are all written through I/O's by bringing WE to low while CE is low. Those are latched on the rising edge of WE. Command Latch Enable(CLE) and Address Latch Enable(ALE) are used to multiplex command and address respectively, via the I/O pins. Some commands require one bus cycle. For example, Reset Command, Status Read Command, etc require just one cycle bus. Some other commands, like page read and block erase and page program, require two cycles: one cycle for setup and the other cycle for execution. The 132M byte physical space requires 28 addresses, thereby requiring four cycles for addressing : 2 cycles of column address, 2 cycles of row address, in that order. Page Read and Page Program need the same four address cycles following the required command input. In Block Erase operation, however, only the two row address cycles are used. Device operations are selected by writing specific commands into the command register. Table 1 defines the specific commands of the K9F1G08X0C.

In addition to the enhanced architecture and interface, the device incorporates copy-back program feature from one page to another page without need for transporting the data to and from the external buffer memory. Since the time-consuming serial access and data-input cycles are removed, system performance for solid-state disk application is significantly increased.

**Table 1. Command Sets**

Function	1st Cycle	2nd Cycle	Acceptable Command during Busy
Read	00h	30h	
Read for Copy Back	00h	35h	
Read ID	90h	-	
Reset	FFh	-	O
Page Program	80h	10h	
Copy-Back Program	85h	10h	
Block Erase	60h	D0h	
Random Data Input <sup>(1)</sup>	85h	-	
Random Data Output <sup>(1)</sup>	05h	E0h	
Read Status	70h	-	O

Note : 1. Random Data Input/Output can be executed in a page.

Caution : Any undefined command inputs are prohibited except for above command set of Table 1.



**ABSOLUTE MAXIMUM RATINGS**

Parameter		Symbol	Rating	Unit
Voltage on any pin relative to VSS		V <sub>CC</sub>	-0.6 to + 4.6	V
		V <sub>IN</sub>	-0.6 to + 4.6	
		V <sub>I/O</sub>	-0.6 to V <sub>CC</sub> + 0.3 (< 4.6V)	
Temperature Under Bias	K9F1G08X0C-PCB0	T <sub>BIAS</sub>	-10 to +125	°C
	K9F1G08X0C-PIB0		-40 to +125	
Storage Temperature	K9F1G08X0C-PCB0	T <sub>STG</sub>	-65 to +150	°C
	K9F1G08X0C-PIB0			
Short Circuit Current		I <sub>OS</sub>	5	mA

Note :

1. Minimum DC voltage is -0.6V on input/output pins. During transitions, this level may undershoot to -2.0V for periods <30ns. Maximum DC voltage on input/output pins is V<sub>CC</sub>+0.3V which, during transitions, may overshoot to V<sub>CC</sub>+2.0V for periods <20ns.
2. Permanent device damage may occur if ABSOLUTE MAXIMUM RATINGS are exceeded. Functional operation should be restricted to the conditions as detailed in the operational sections of this data sheet. Exposure to absolute maximum rating conditions for extended periods may affect reliability.

**RECOMMENDED OPERATING CONDITIONS**

(Voltage reference to GND, K9F1G08X0C-PCB0 :T<sub>A</sub>=0 to 70°C, K9F1G08X0C-PIB0:T<sub>A</sub>=-40 to 85°C)

Parameter	Symbol	K9F1G08B0C(2.7V)			K9F1G08U0C(3.3V)			Unit
		Min	Typ.	Max	Min	Typ.	Max	
Supply Voltage	V <sub>CC</sub>	2.5	2.7	2.9	2.7	3.3	3.6	V
Supply Voltage	V <sub>SS</sub>	0	0	0	0	0	0	V

**DC AND OPERATING CHARACTERISTICS**(Recommended operating conditions otherwise noted.)

Parameter		Symbol	Test Conditions	K9F1G08B0C(2.7V)			K9F1G08U0C(3.3V)			Unit
				Min	Typ	Max	Min	Typ	Max	
Operating Current	Page Read with Serial Access	I <sub>CC1</sub>	t <sub>RC</sub> =25ns CE=V <sub>IL</sub> , I <sub>OUT</sub> =0mA	-	15	30	-	15	30	mA
	Program	I <sub>CC2</sub>	-	-	-	-	-	-		
	Erase	I <sub>CC3</sub>	-	-	-	-	-	-		
Stand-by Current(TTL)		I <sub>SB1</sub>	CE=V <sub>IH</sub> , WP=0V/V <sub>CC</sub>	-	-	1	-	-	1	μA
Stand-by Current(CMOS)		I <sub>SB2</sub>	CE=V <sub>CC</sub> -0.2, WP=0V/V <sub>CC</sub>	-	10	50	-	10	50	
Input Leakage Current		I <sub>LI</sub>	V <sub>IN</sub> =0 to V <sub>CC</sub> (max)	-	-	±10	-	-	±10	μA
Output Leakage Current		I <sub>LO</sub>	V <sub>OUT</sub> =0 to V <sub>CC</sub> (max)	-	-	±10	-	-	±10	
Input High Voltage		V <sub>IH</sub> ( <sup>1</sup> )	-	V <sub>CC</sub> -0.4	-	V <sub>CC</sub> +0.3	2.0	-	V <sub>CC</sub> +0.3	V
Input Low Voltage, All inputs		V <sub>IL</sub> ( <sup>1</sup> )	-	-0.3	-	0.5	-0.3	-	0.8	
Output High Voltage Level		V <sub>OH</sub>	K9F1G08B0C :I <sub>OH</sub> =-100μA K9F1G08U0C :I <sub>OH</sub> =-400μA	V <sub>CC</sub> -0.4	-	-	2.4	-	-	
Output Low Voltage Level		V <sub>OL</sub>	K9F1G08B0C :I <sub>OL</sub> =100μA K9F1G08U0C :I <sub>OL</sub> =2.1mA	-	-	0.4	-	-	0.4	
Output Low Current(R/B)		I <sub>OL</sub> (R/B)	K9F1G08B0C :V <sub>OL</sub> =0.1V K9F1G08U0C :V <sub>OL</sub> =0.4V	3	4	-	8	10	-	mA

- Note : 1. V<sub>IL</sub> can undershoot to -0.4V and V<sub>IH</sub> can overshoot to V<sub>CC</sub> +0.4V for durations of 20 ns or less.  
2. Typical value is measured at V<sub>CC</sub>=2.7V/3.3V, T<sub>A</sub>=25°C. Not 100% tested.

**VALID BLOCK**

Parameter	Symbol	Min	Typ.	Max	Unit
K9F1G08U0C	NVB	1,004	-	1,024	Blocks

Note :

1. The device may include initial invalid blocks when first shipped. Additional invalid blocks may develop while being used. The number of valid blocks is presented with both cases of invalid blocks considered. Invalid blocks are defined as blocks that contain one or more bad bits. Do not erase or program factory-marked bad blocks. Refer to the attached technical notes for appropriate management of invalid blocks.
2. The 1st block, which is placed on 00h block address, is guaranteed to be a valid block up to TBD program/erase cycles with 1bit/512Byte ECC.

**AC TEST CONDITION**

(K9F1G08U0C-PCB0 :TA=0 to 70°C, K9F1G08U0C-PIB0:TA=-40 to 85°C, K9F1G08U0C : Vcc=2.7V~3.6V unless otherwise noted)

Parameter	K9F1G08U0C
Input Pulse Levels	0V to Vcc
Input Rise and Fall Times	5ns
Input and Output Timing Levels	Vcc/2
Output Load	1 TTL GATE and CL=50pF

**CAPACITANCE**(TA=25°C, VCC=2.7V/3.3V, f=1.0MHz)

Item	Symbol	Test Condition	Min	Max	Unit
Input/Output Capacitance	C <sub>I/O</sub>	V <sub>IL</sub> =0V	-	8	pF
Input Capacitance	C <sub>IN</sub>	V <sub>IN</sub> =0V	-	8	pF

Note : Capacitance is periodically sampled and not 100% tested.

**MODE SELECTION**

CLE	ALE	$\overline{\text{CE}}$	$\overline{\text{WE}}$	$\overline{\text{RE}}$	$\overline{\text{WP}}$	Mode	
H	L	L		H	X	Read Mode	Command Input
L	H	L		H	X		Address Input(4clock)
H	L	L		H	H	Write Mode	Command Input
L	H	L		H	H		Address Input(4clock)
L	L	L		H	H	Data Input	
L	L	L	H		X	Data Output	
X	X	X	X	H	X	During Read(Busy)	
X	X	X	X	X	H	During Program(Busy)	
X	X	X	X	X	H	During Erase(Busy)	
X	X <sup>(1)</sup>	X	X	X	L	Write Protect	
X	X	H	X	X	0V/Vcc <sup>(2)</sup>	Stand-by	

Note : 1. X can be V<sub>IL</sub> or V<sub>IH</sub>.

2. WP should be biased to CMOS high or CMOS low for standby.

**Program / Erase Characteristics**

Parameter	Symbol	Min	Typ	Max	Unit
Program Time	t <sub>PROG</sub>	-	200	700	μs
Number of Partial Program Cycles	Nop	-	-	4	cycles
Block Erase Time	t <sub>BERS</sub>	-	1.5	10	ms

Note : 1. Typical value is measured at V<sub>cc</sub>=3.3V, T<sub>A</sub>=25°C. Not 100% tested.

2. Typical program time is defined as the time within which more than 50% of the whole pages are programmed at 3.3V V<sub>cc</sub> and 25°C temperature.

**AC Timing Characteristics for Command / Address / Data Input**

Parameter	Symbol	Min	Max	Unit
CLE Setup Time	t <sub>CLS</sub> <sup>(1)</sup>	12	-	ns
CLE Hold Time	t <sub>CLH</sub>	5	-	ns
$\overline{\text{CE}}$ Setup Time	t <sub>CS</sub> <sup>(1)</sup>	20	-	ns
$\overline{\text{CE}}$ Hold Time	t <sub>CH</sub>	5	-	ns
$\overline{\text{WE}}$ Pulse Width	t <sub>WP</sub>	12	-	ns
ALE Setup Time	t <sub>ALS</sub> <sup>(1)</sup>	12	-	ns
ALE Hold Time	t <sub>ALH</sub>	5	-	ns
Data Setup Time	t <sub>DS</sub> <sup>(1)</sup>	12	-	ns
Data Hold Time	t <sub>DH</sub>	5	-	ns
Write Cycle Time	t <sub>WC</sub>	25	-	ns
$\overline{\text{WE}}$ High Hold Time	t <sub>WH</sub>	10	-	ns
Address to Data Loading Time	t <sub>ADL</sub> <sup>(2)</sup>	100	-	ns

Note : 1. The transition of the corresponding control pins must occur only once while  $\overline{\text{WE}}$  is held low

2. t<sub>ADL</sub> is the time from the  $\overline{\text{WE}}$  rising edge of final address cycle to the  $\overline{\text{WE}}$  rising edge of first data cycle

**AC Characteristics for Operation**

Parameter	Symbol	Min	Max	Unit
Data Transfer from Cell to Register	t <sub>R</sub>	-	25	μs
ALE to $\overline{RE}$ Delay	t <sub>AR</sub>	10	-	ns
CLE to $\overline{RE}$ Delay	t <sub>CLR</sub>	10	-	ns
Ready to $\overline{RE}$ Low	t <sub>RR</sub>	20	-	ns
$\overline{RE}$ Pulse Width	t <sub>RP</sub>	12	-	ns
$\overline{WE}$ High to Busy	t <sub>WB</sub>	-	100	ns
Read Cycle Time	t <sub>RC</sub>	25	-	ns
$\overline{RE}$ Access Time	t <sub>REA</sub>	-	20	ns
$\overline{CE}$ Access Time	t <sub>CEA</sub>	-	25	ns
$\overline{RE}$ High to Output Hi-Z	t <sub>RHZ</sub>	-	100	ns
$\overline{CE}$ High to Output Hi-Z	t <sub>CHZ</sub>	-	30	ns
$\overline{CE}$ High to ALE or CLE Don't Care	t <sub>CSD</sub>	0	-	ns
$\overline{RE}$ High to Output Hold	t <sub>RHOH</sub>	15	-	ns
$\overline{RE}$ Low to Output Hold	t <sub>RLOH</sub>	5	-	ns
$\overline{CE}$ High to Output Hold	t <sub>COH</sub>	15	-	ns
$\overline{RE}$ High Hold Time	t <sub>REH</sub>	10	-	ns
Output Hi-Z to $\overline{RE}$ Low	t <sub>IR</sub>	0	-	ns
$\overline{RE}$ High to $\overline{WE}$ Low	t <sub>RHW</sub>	100	-	ns
$\overline{WE}$ High to $\overline{RE}$ Low	t <sub>WHR</sub>	60	-	ns
Device Resetting Time(Read/Program/Erase)	t <sub>RST</sub>	-	5/10/500 <sup>(1)</sup>	μs

Note : 1. If reset command(FFh) is written at Ready state, the device goes into Busy for maximum 5μs.

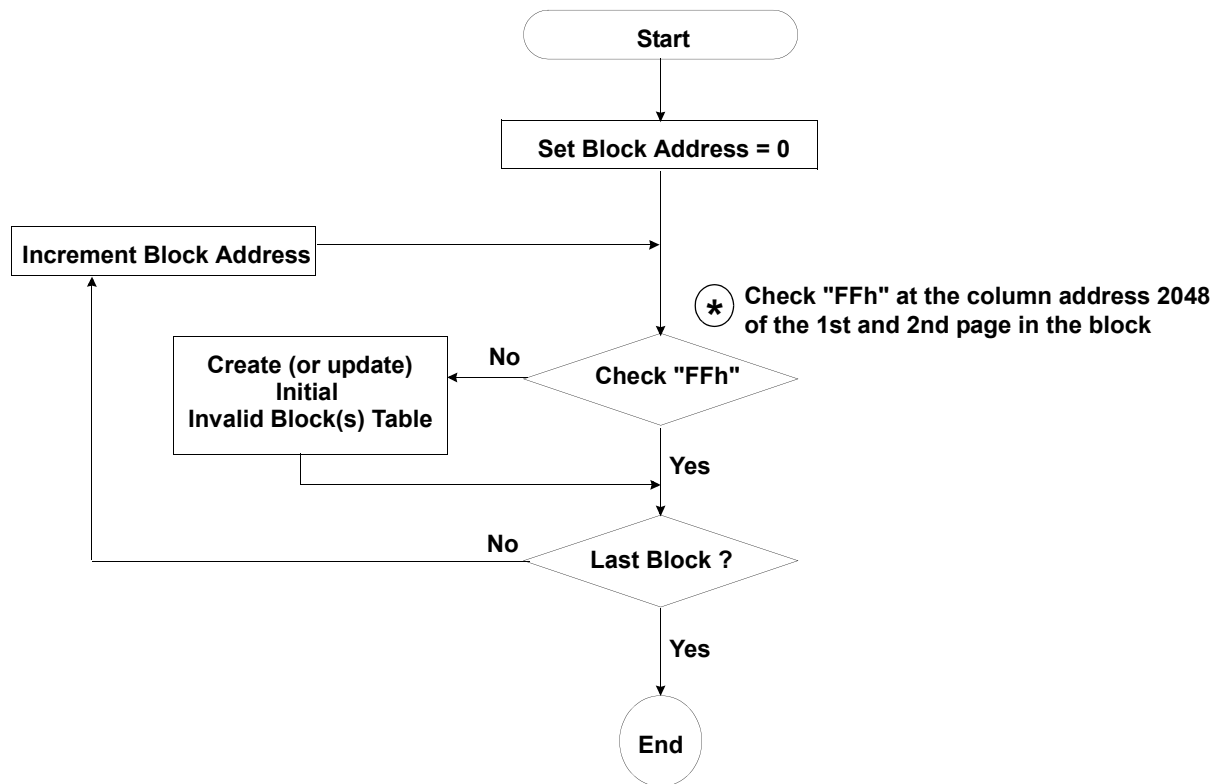
**NAND Flash Technical Notes**

**Initial Invalid Block(s)**

Initial invalid blocks are defined as blocks that contain one or more initial invalid bits whose reliability is not guaranteed by Samsung. The information regarding the initial invalid block(s) is called the initial invalid block information. Devices with initial invalid block(s) have the same quality level as devices with all valid blocks and have the same AC and DC characteristics. An initial invalid block(s) does not affect the performance of valid block(s) because it is isolated from the bit line and the common source line by a select transistor. The system design must be able to mask out the initial invalid block(s) via address mapping. The 1st block, which is placed on 00h block address, is guaranteed to be a valid block up to 1K program/erase cycles with 1bit/512Byte ECC.

**Identifying Initial Invalid Block(s)**

All device locations are erased(FFh) except locations where the initial invalid block(s) information is written prior to shipping. The initial invalid block(s) status is defined by the 1st byte in the spare area. Samsung makes sure that either the 1st or 2nd page of every initial invalid block has non-FFh data at the column address of 2048. Since the initial invalid block information is also erasable in most cases, it is impossible to recover the information once it has been erased. Therefore, the system must be able to recognize the initial invalid block(s) based on the original initial invalid block information and create the initial invalid block table via the following suggested flow chart(Figure 3). Any intentional erasure of the original initial invalid block information is prohibited.



**Figure 3. Flow chart to create initial invalid block table**

**NAND Flash Technical Notes (Continued)**

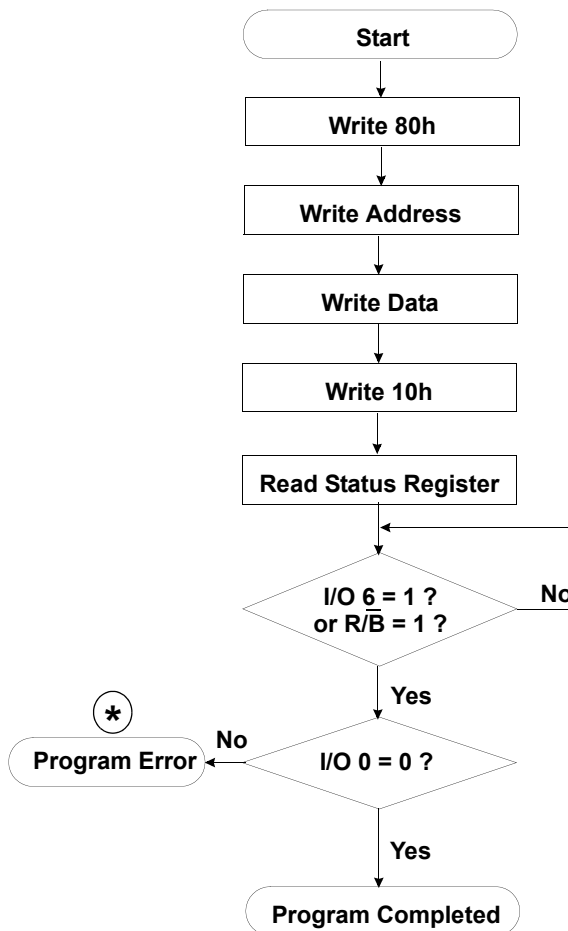
**Error in write or read operation**

Within its life time, additional invalid blocks may develop with NAND Flash memory. Refer to the qualification report for the actual data. The following possible failure modes should be considered to implement a highly reliable system. In the case of status read failure after erase or program, block replacement should be done. Because program status fail during a page program does not affect the data of the other pages in the same block, block replacement can be executed with a page-sized buffer by finding an erased empty block and reprogramming the current target data and copying the rest of the replaced block. In case of Read, ECC must be employed. To improve the efficiency of memory space, it is recommended that the read or verification failure due to single bit error be reclaimed by ECC without any block replacement. The said additional block failure rate does not include those reclaimed blocks.

Failure Mode		Detection and Countermeasure sequence
Write	Erase Failure	Status Read after Erase --> Block Replacement
	Program Failure	Status Read after Program --> Block Replacement
Read	Single Bit Failure	Verify ECC -> ECC Correction

**ECC** : Error Correcting Code --> Hamming Code etc.  
Example) 1bit correction & 2bit detection

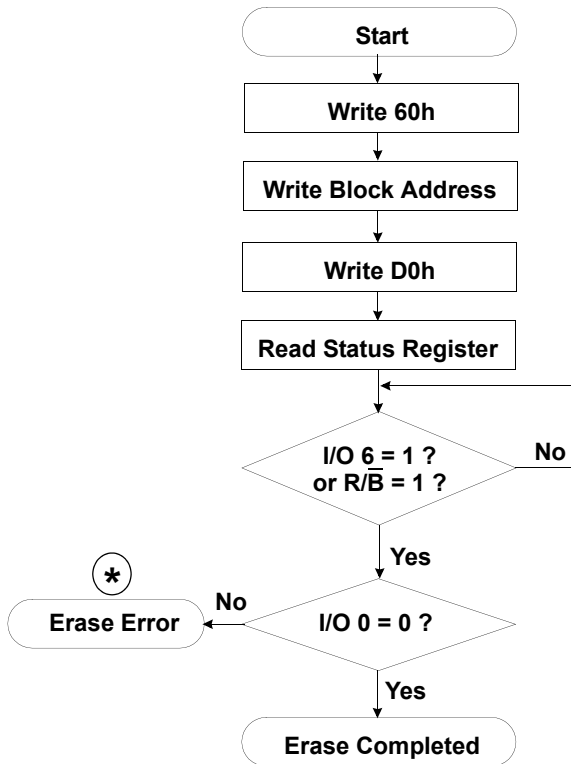
**Program Flow Chart**



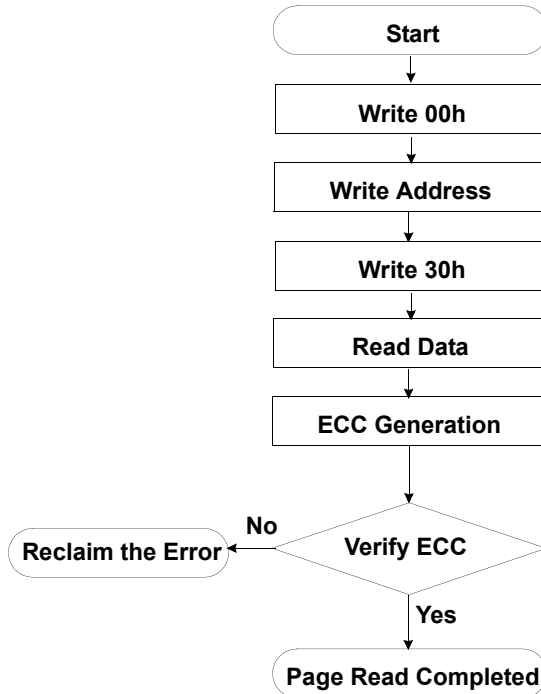
**\*** : If program operation results in an error, map out the block including the page in error and copy the target data to another block.

**NAND Flash Technical Notes** (Continued)

**Erase Flow Chart**

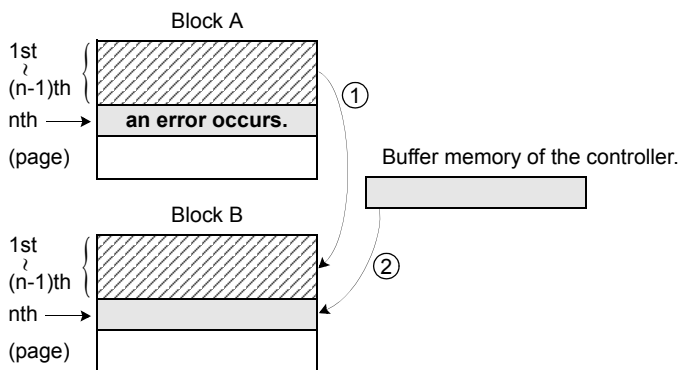


**Read Flow Chart**



**\*** : If erase operation results in an error, map out the failing block and replace it with another block.

**Block Replacement**

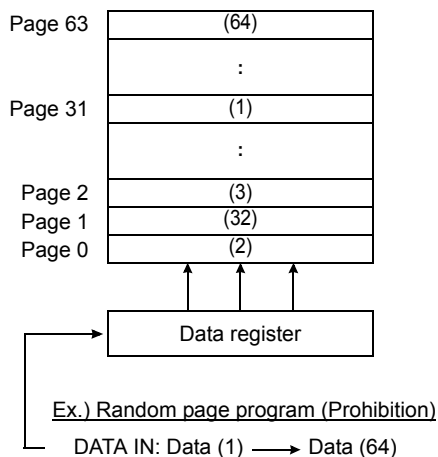
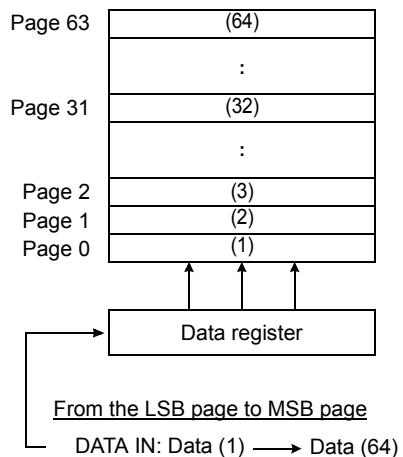


- \* Step1  
When an error happens in the nth page of the Block 'A' during erase or program operation.
- \* Step2  
Copy the data in the 1st ~ (n-1)th page to the same location of another free block. (Block 'B')
- \* Step3  
Then, copy the nth page data of the Block 'A' in the buffer memory to the nth page of the Block 'B'.
- \* Step4  
Do not erase or program to Block 'A' by creating an 'invalid block' table or other appropriate scheme.

**NAND Flash Technical Notes** (Continued)

**Addressing for program operation**

Within a block, the pages must be programmed consecutively from the LSB(least significant bit) page of the block to the MSB(most significant bit) pages of the block. Random page address programming is prohibited. In this case, the definition of LSB page is the LSB among the pages to be programmed. Therefore, LSB doesn't need to be page 0.

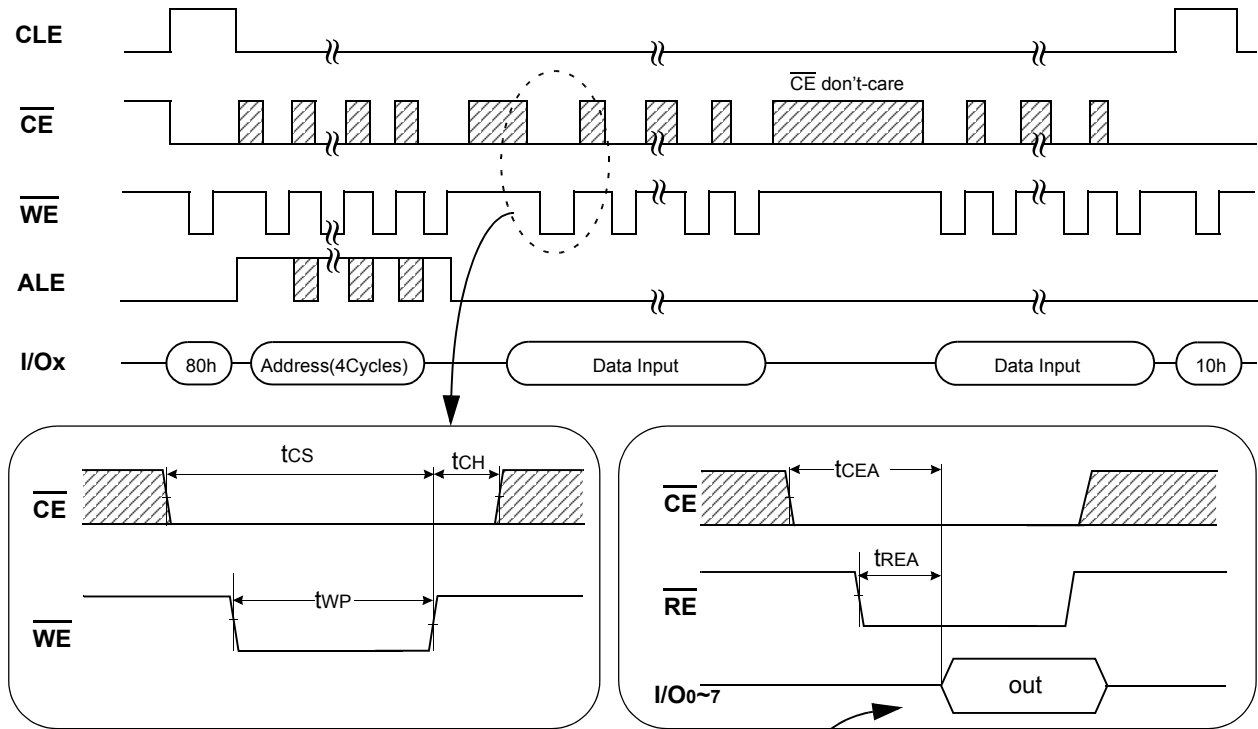




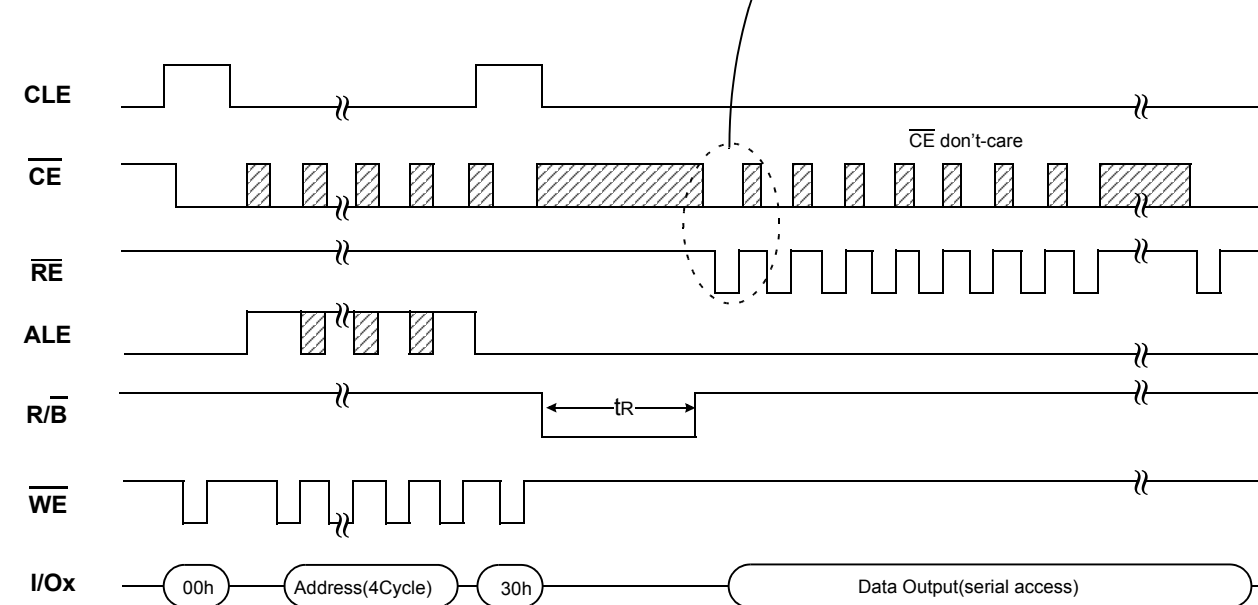
**System Interface Using  $\overline{\text{CE}}$  don't-care.**

For an easier system interface,  $\overline{\text{CE}}$  may be inactive during the data-loading or serial access as shown below. The internal 2,112byte data registers are utilized as separate buffers for this operation and the system design gets more flexible. In addition, for voice or audio applications which use slow cycle time on the order of  $\mu$ -seconds, de-activating  $\overline{\text{CE}}$  during the data-loading and serial access would provide significant savings in power consumption.

**Figure 4. Program Operation with  $\overline{\text{CE}}$  don't-care.**



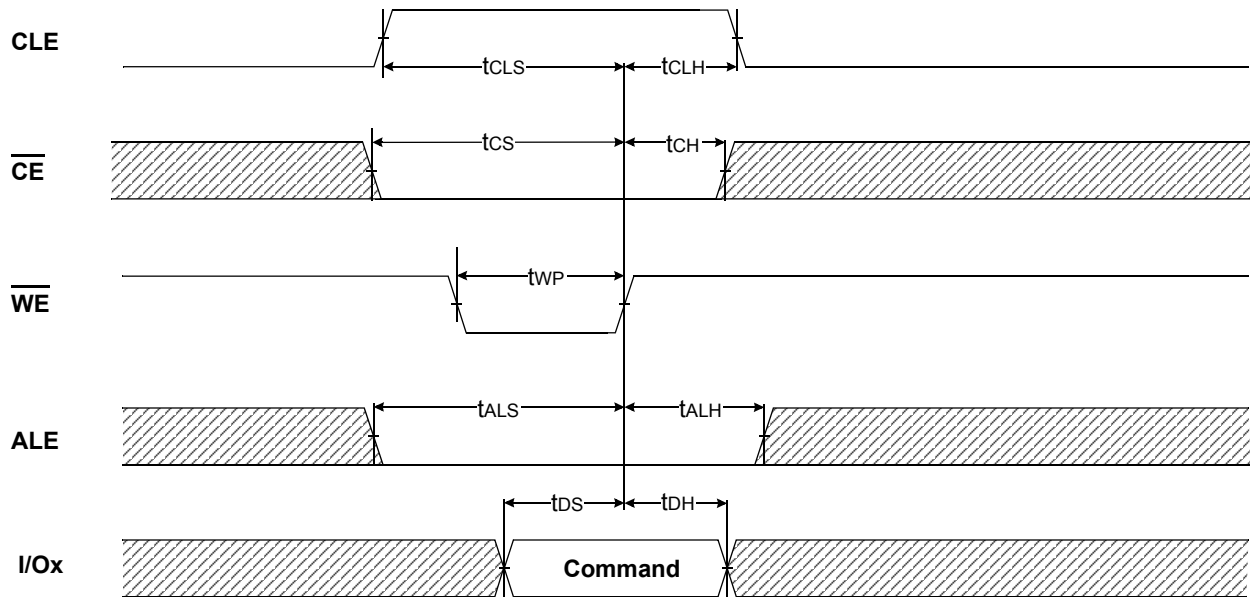
**Figure 5. Read Operation with  $\overline{\text{CE}}$  don't-care.**



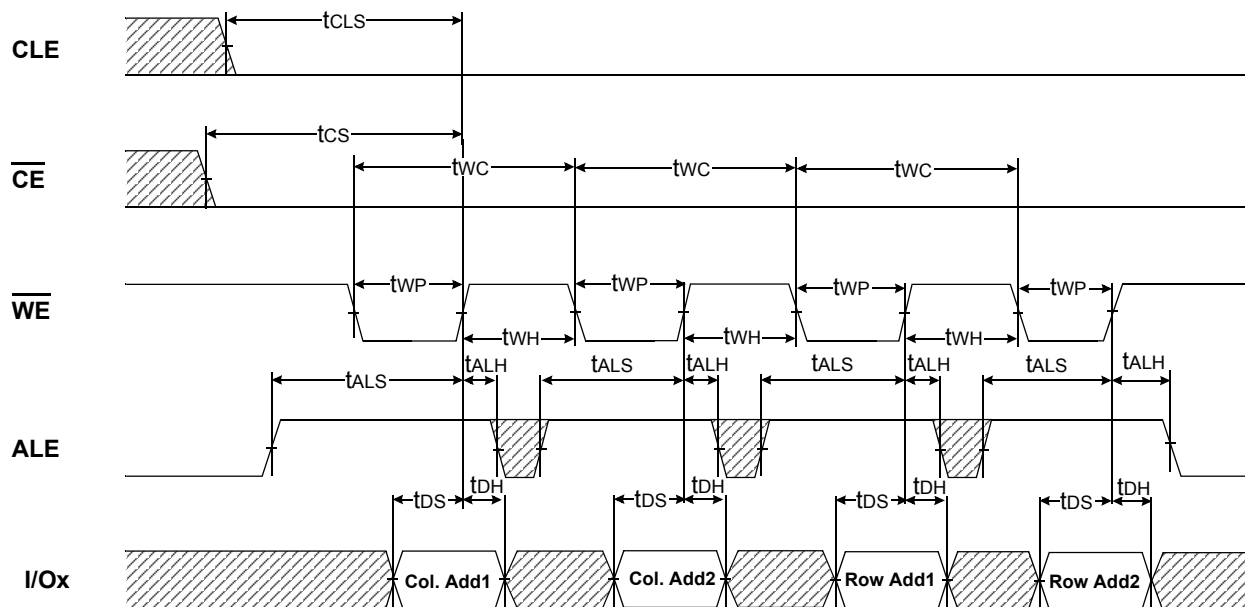
Address Information

Device	I/O	DATA	ADDRESS			
	I/Ox	Data In/Out	Col. Add1	Col. Add2	Row Add1	Row Add2
K9F1G08X0C	I/O 0 ~ I/O 7	~2112byte	A0~A7	A8~A11	A12~A19	A20~A27

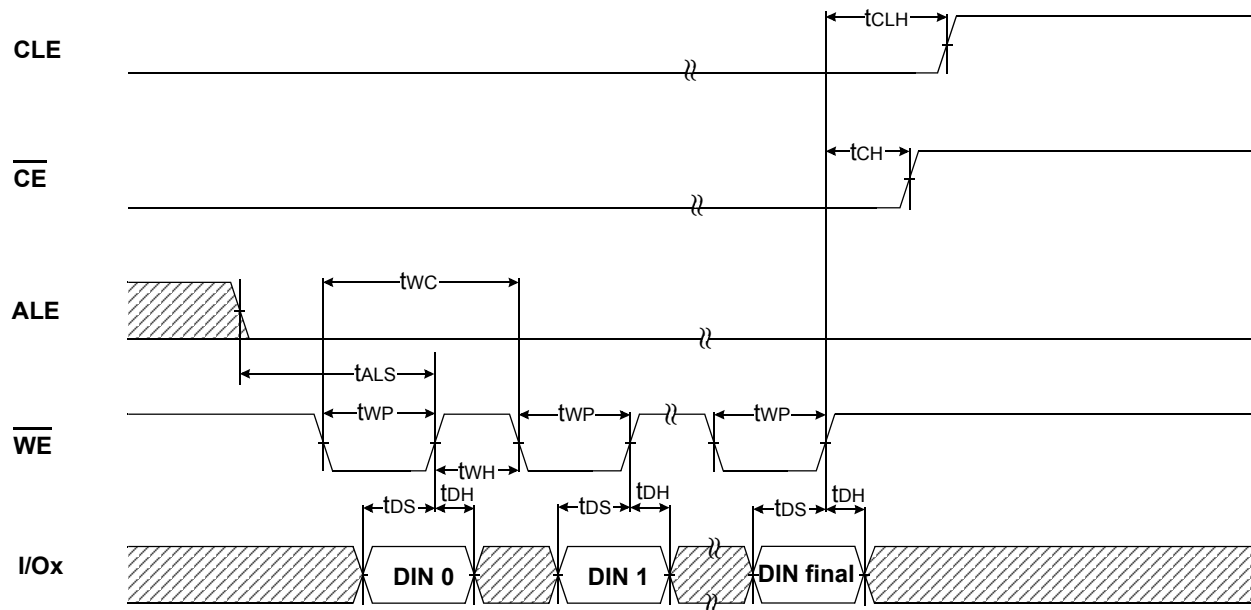
Command Latch Cycle



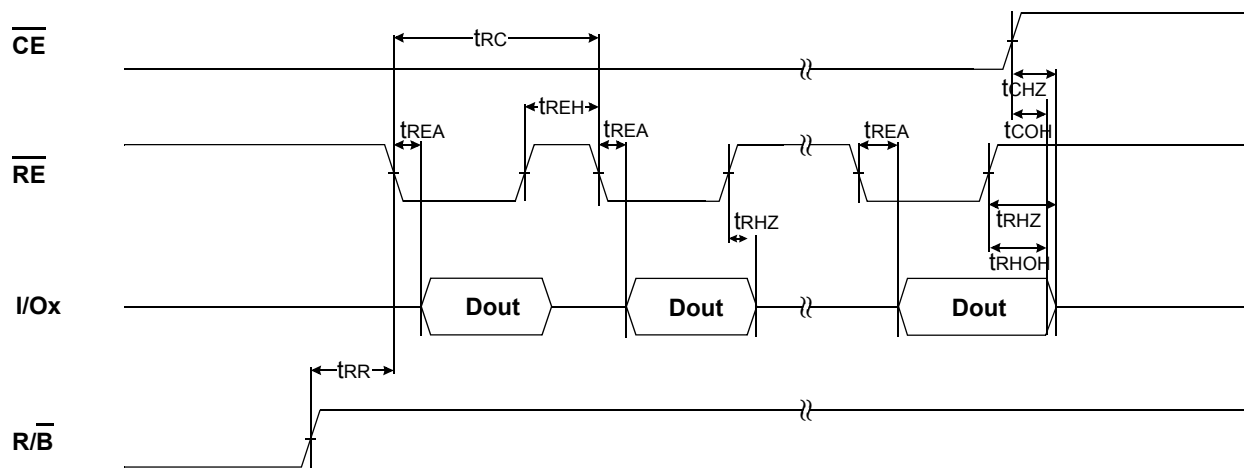
Address Latch Cycle



Input Data Latch Cycle

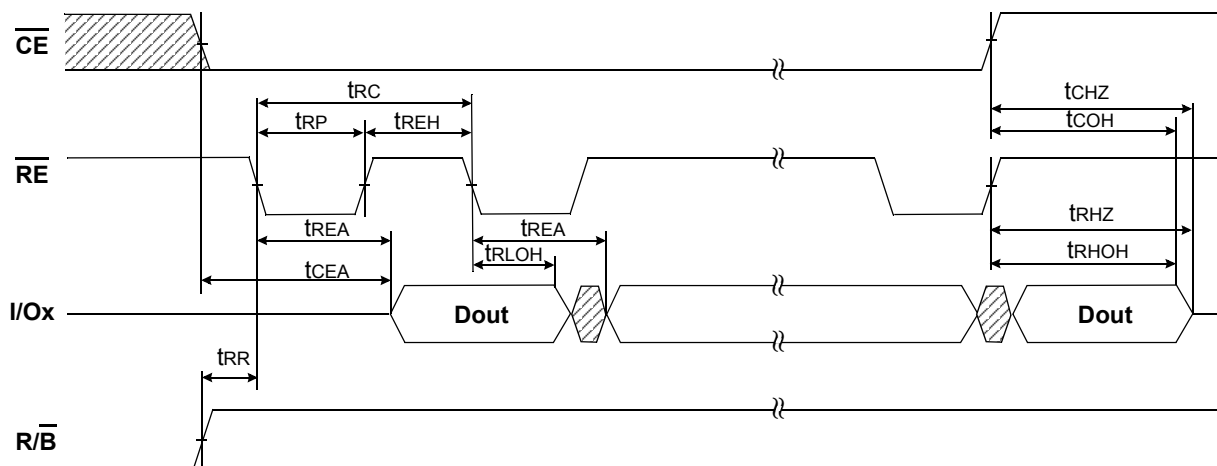


\* Serial Access Cycle after Read (CLE=L,  $\overline{WE}$ =H, ALE=L)



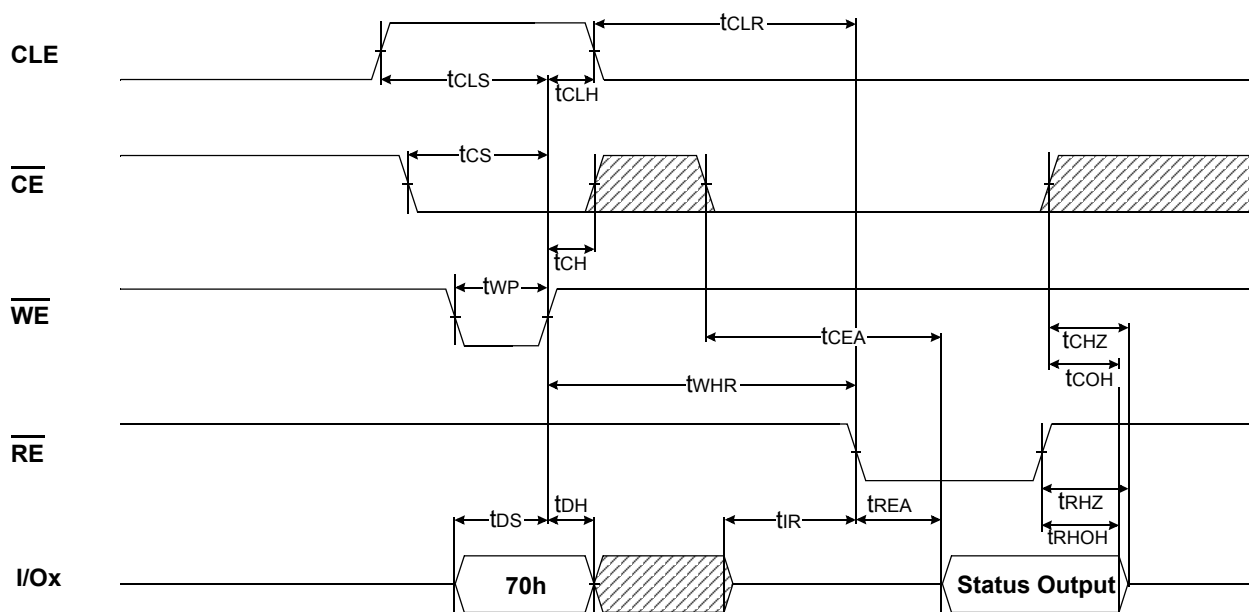
Note : Transition is measured at  $\pm 200\text{mV}$  from steady state voltage with load.  
This parameter is sampled and not 100% tested.  
 $t_{RLOH}$  is valid when frequency is higher than 33MHz.  
 $t_{RHOH}$  starts to be valid when frequency is lower than 33MHz.

Serial Access Cycle after Read (EDO Type, CLE=L, WE=H, ALE=L)

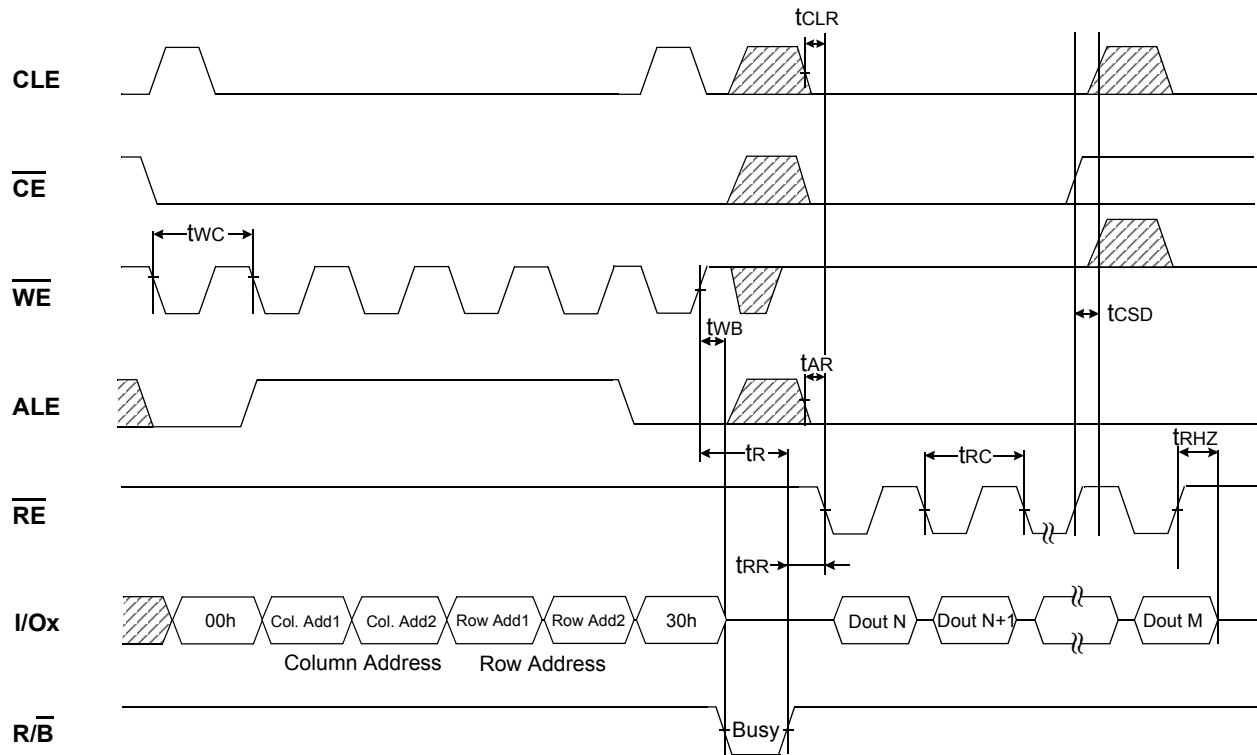


Note : Transition is measured at  $\pm 200\text{mV}$  from steady state voltage with load.  
This parameter is sampled and not 100% tested.  
 $t_{RLOH}$  is valid when frequency is higher than 33MHz.  
 $t_{RHOH}$  starts to be valid when frequency is lower than 33MHz.

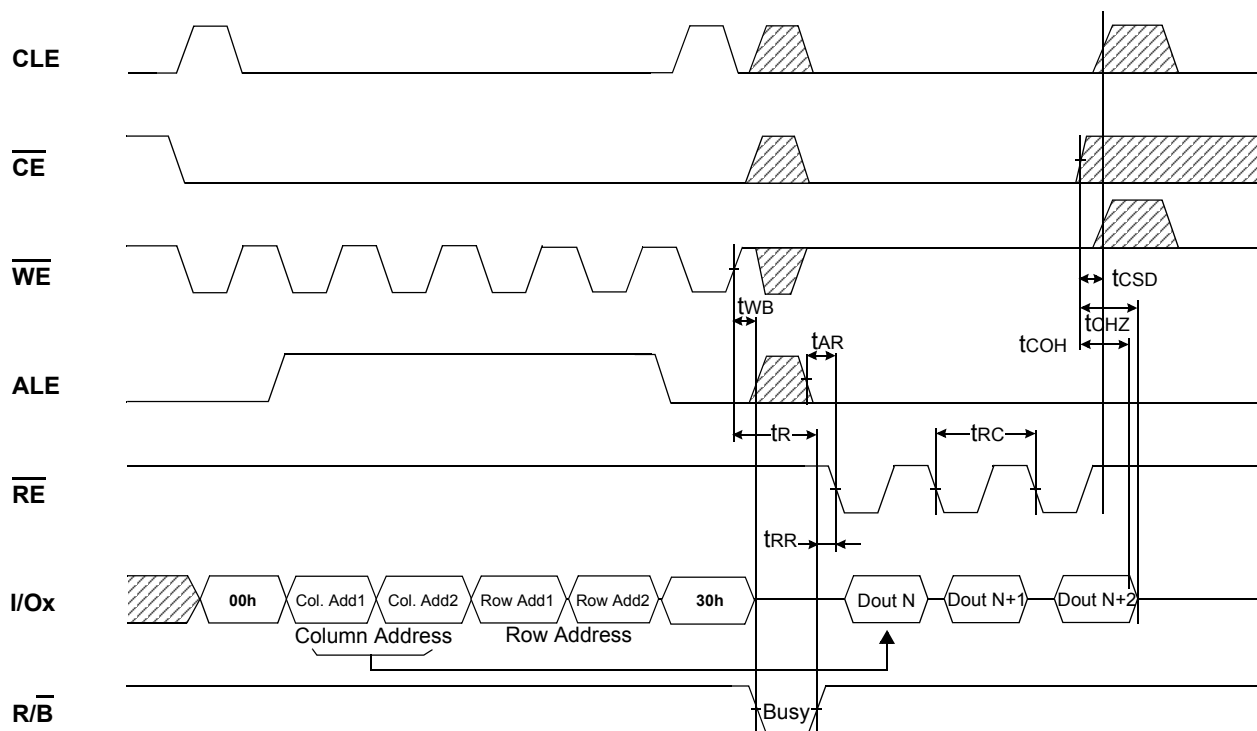
Status Read Cycle



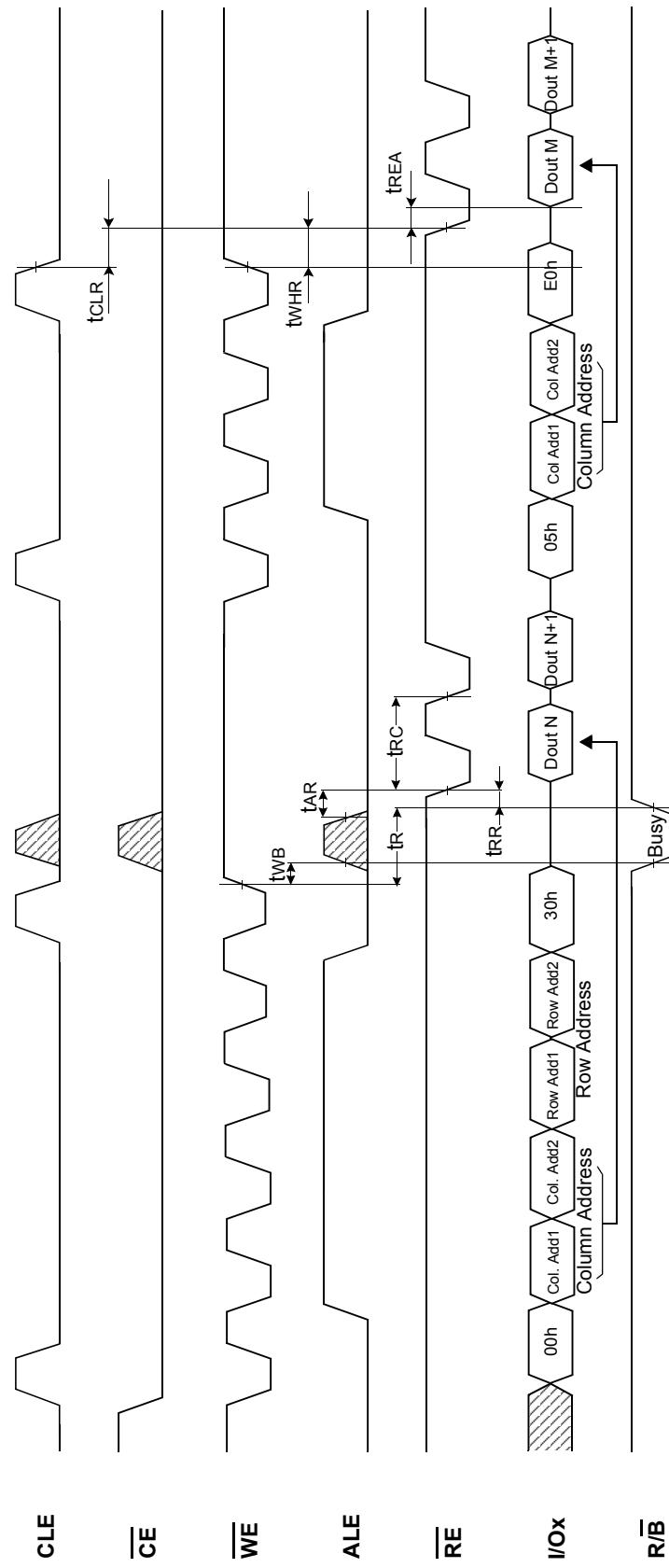
Read Operation



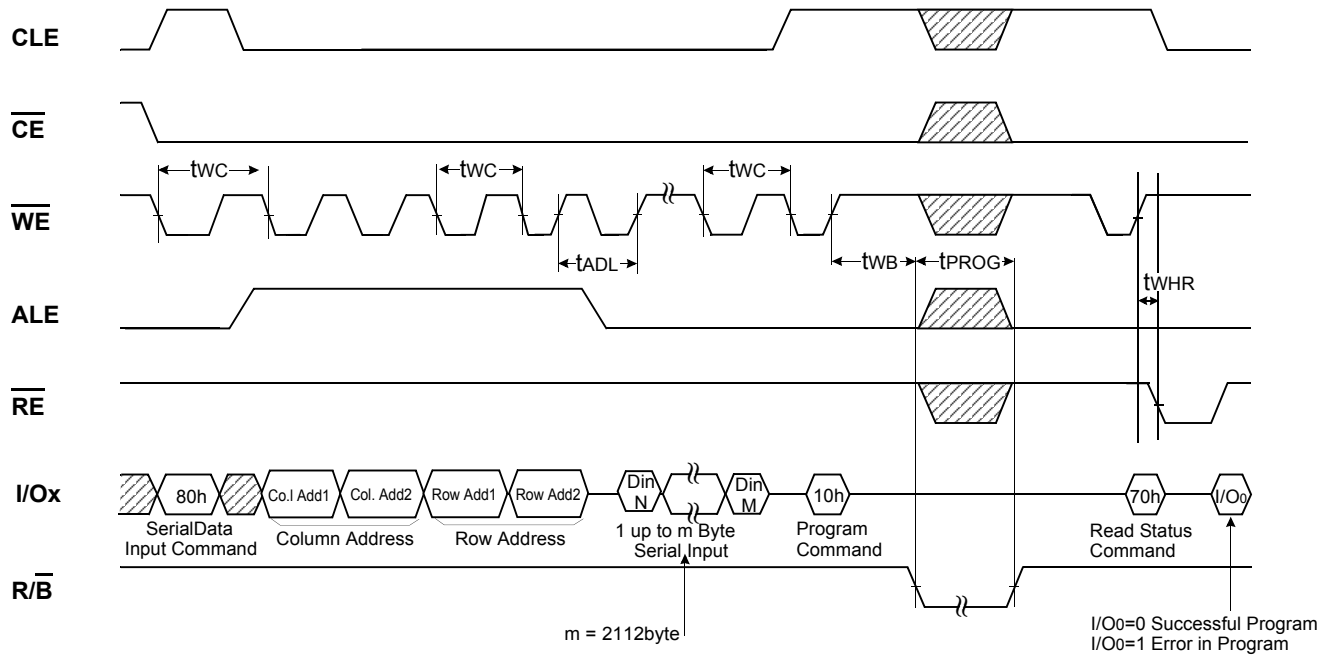
Read Operation(Intercepted by CE)



Random Data Output In a Page

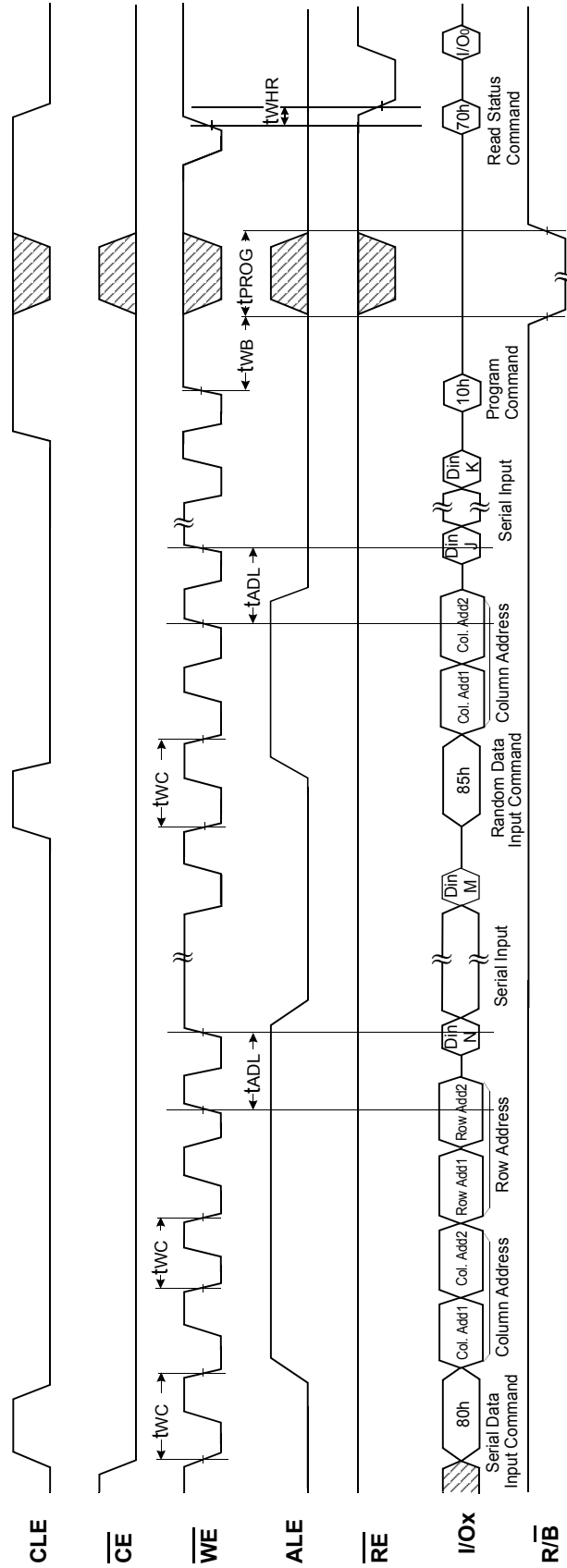


Page Program Operation



Note :  $t_{ADL}$  is the time from the  $\overline{WE}$  rising edge of final address cycle to the  $\overline{WE}$  rising edge of first data cycle.

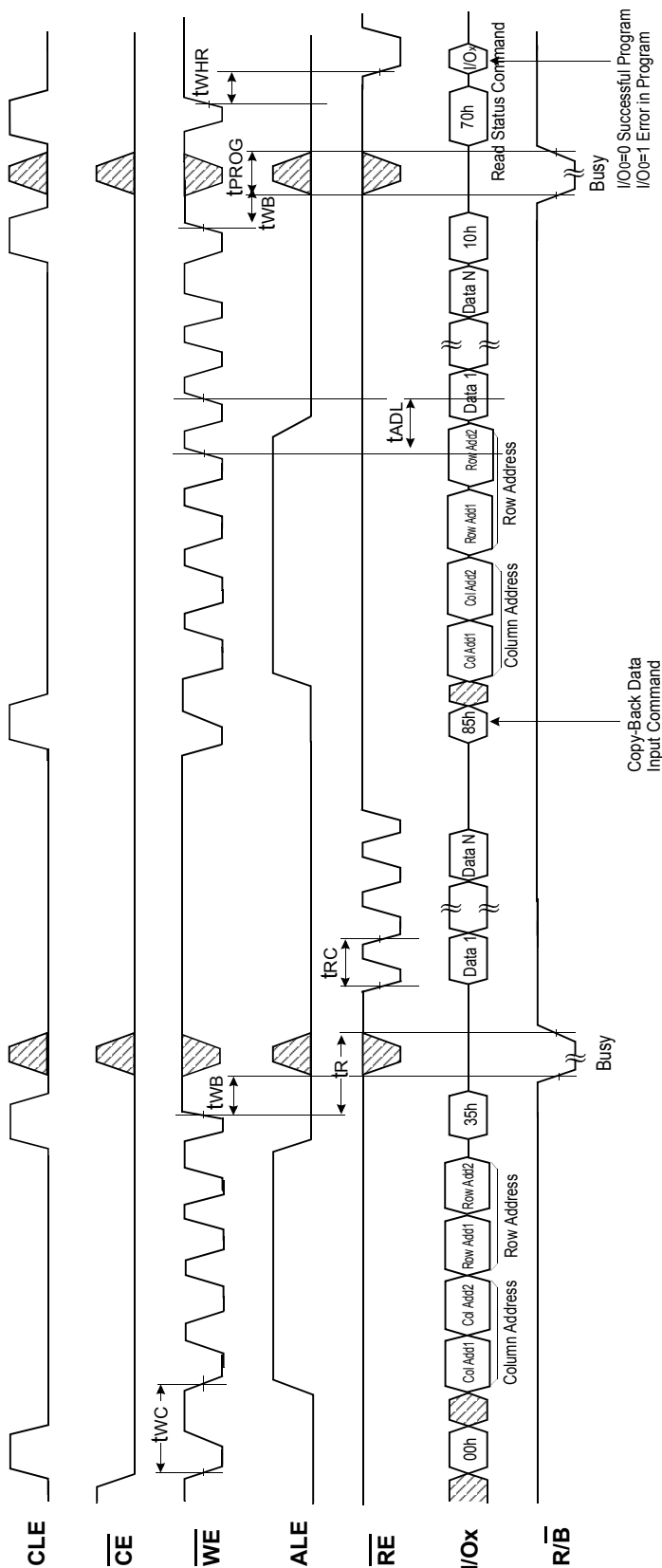
Page Program Operation with Random Data Input



Note : tADL is the time from the WE rising edge of final address cycle to the WE rising edge of first data cycle.

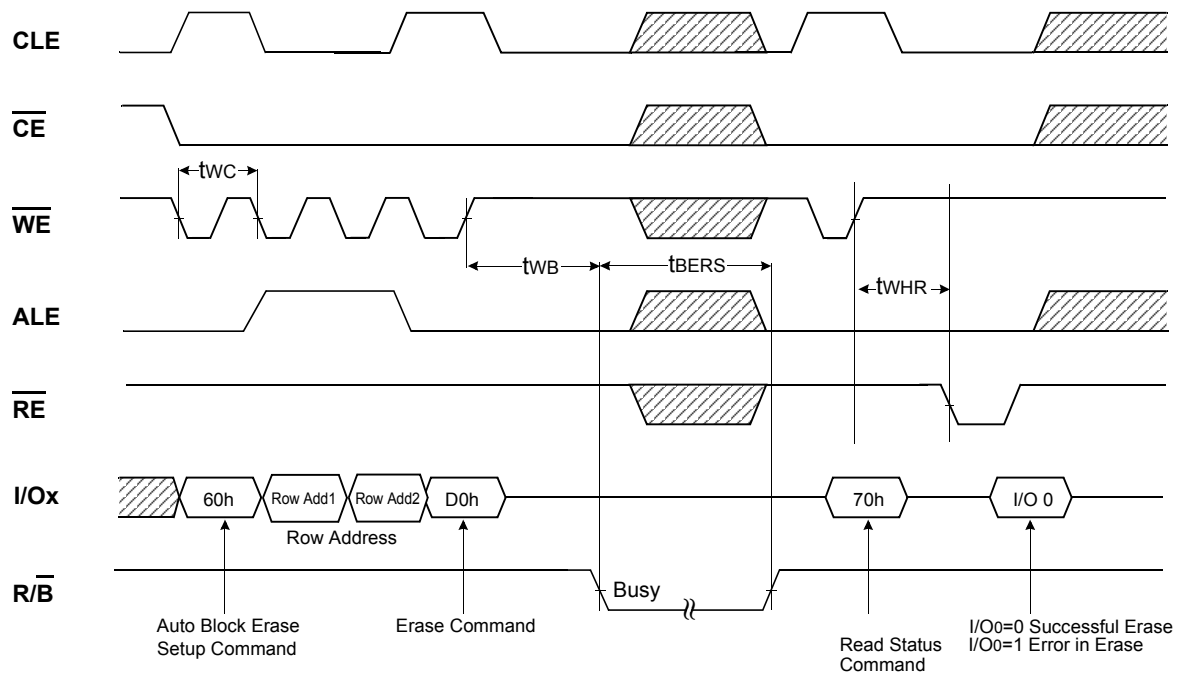


Copy-Back Program Operation with Random Data Input

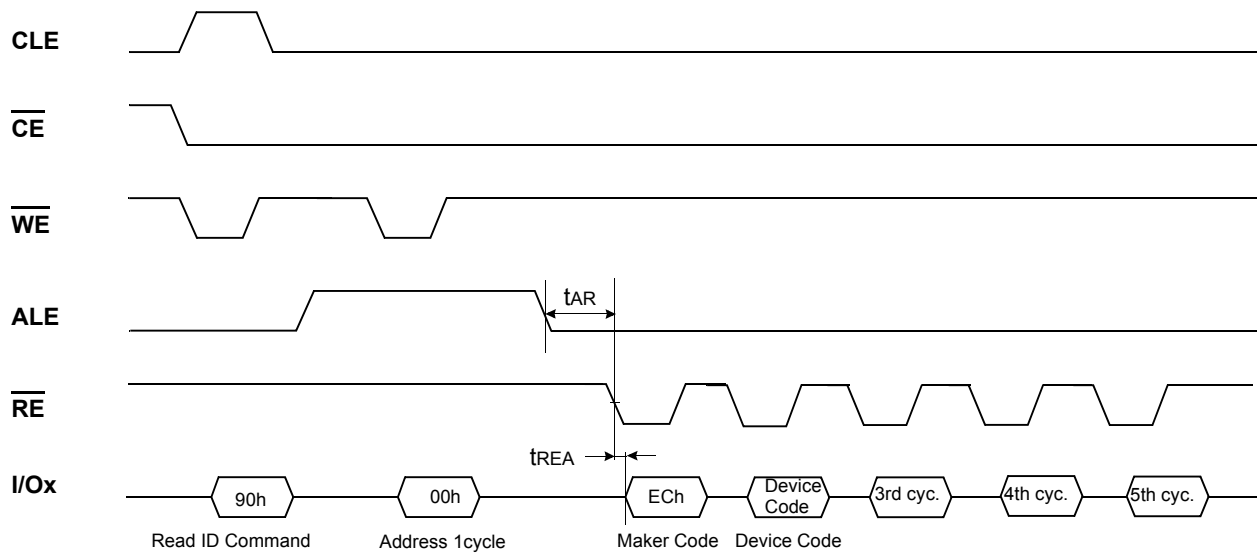


Note : tADL is the time from the  $\overline{WE}$  rising edge of final address cycle to the  $\overline{WE}$  rising edge of first data cycle.

Block Erase Operation



**Read ID Operation**



Device	Device Code (2nd Cycle)	3rd Cycle	4th Cycle	5th Cycle
K9F1G08B0C	Same as K9F1G08U0C			
K9F1G08U0C	F1h	00h	95h	40h

**ID Definition Table**

**ID Access command = 90h**

	Description
1 <sup>st</sup> Byte	Maker Code
2 <sup>nd</sup> Byte	Device Code
3 <sup>rd</sup> Byte	Internal Chip Number, Cell Type, Number of Simultaneously Programmed Pages, Etc
4 <sup>th</sup> Byte	Page Size, Block Size, Redundant Area Size, Organization, Serial Access Minimum
5 <sup>th</sup> Byte	Plane Number, Plane Size

**3rd ID Data**

	Description	I/O7	I/O6	I/O5	I/O4	I/O3	I/O2	I/O1	I/O0
Internal Chip Number	1							0	0
	2							0	1
	4							1	0
	8							1	1
Cell Type	2 Level Cell					0	0		
	4 Level Cell					0	1		
	8 Level Cell					1	0		
	16 Level Cell					1	1		
Number of Simultaneously Programmed Pages	1			0	0				
	2			0	1				
	4			1	0				
	8			1	1				
Interleave Program Between multiple chips	Not Support		0						
	Support		1						
Cache Program	Not Support	0							
	Support	1							

**4th ID Data**

	Description	I/O7	I/O6	I/O5	I/O4	I/O3	I/O2	I/O1	I/O0
Page Size (w/o redundant area )	1KB							0	0
	2KB							0	1
	4KB							1	0
	8KB							1	1
Block Size (w/o redundant area )	64KB			0	0				
	128KB			0	1				
	256KB			1	0				
	512KB			1	1				
Redundant Area Size ( byte/512byte)	8						0		
	16						1		
Organization	x8		0						
	x16		1						
Serial Access Minimum	50ns/30ns	0				0			
	25ns	1				0			
	Reserved	0				1			
	Reserved	1				1			

**5th ID Data**

	Description	I/O7	I/O6	I/O5	I/O4	I/O3	I/O2	I/O1	I/O0
Plane Number	1					0	0		
	2					0	1		
	4					1	0		
	8					1	1		
Plane Size (w/o redundant Area)	64Mb		0	0	0				
	128Mb		0	0	1				
	256Mb		0	1	0				
	512Mb		0	1	1				
	1Gb		1	0	0				
	2Gb		1	0	1				
	4Gb		1	1	0				
8Gb		1	1	1					
Reserved		0						0	0

Device Operation

PAGE READ

Page read is initiated by writing 00h-30h to the command register along with four address cycles. After initial power up, 00h command is latched. Therefore only four address cycles and 30h command initiates that operation after initial power up. The 2,112 bytes of data within the selected page are transferred to the data registers in less than 25μs( $t_R$ ). The system controller can detect the completion of this data transfer( $t_R$ ) by analyzing the output of R/B pin. Once the data in a page is loaded into the data registers, they may be read out in 25ns cycle time by sequentially pulsing RE. The repetitive high to low transitions of the RE clock make the device output the data starting from the selected column address up to the last column address.

The device may output random data in a page instead of the consecutive sequential data by writing random data output command. The column address of next data, which is going to be out, may be changed to the address which follows random data output command. Random data output can be operated multiple times regardless of how many times it is done in a page.

Figure 6. Read Operation

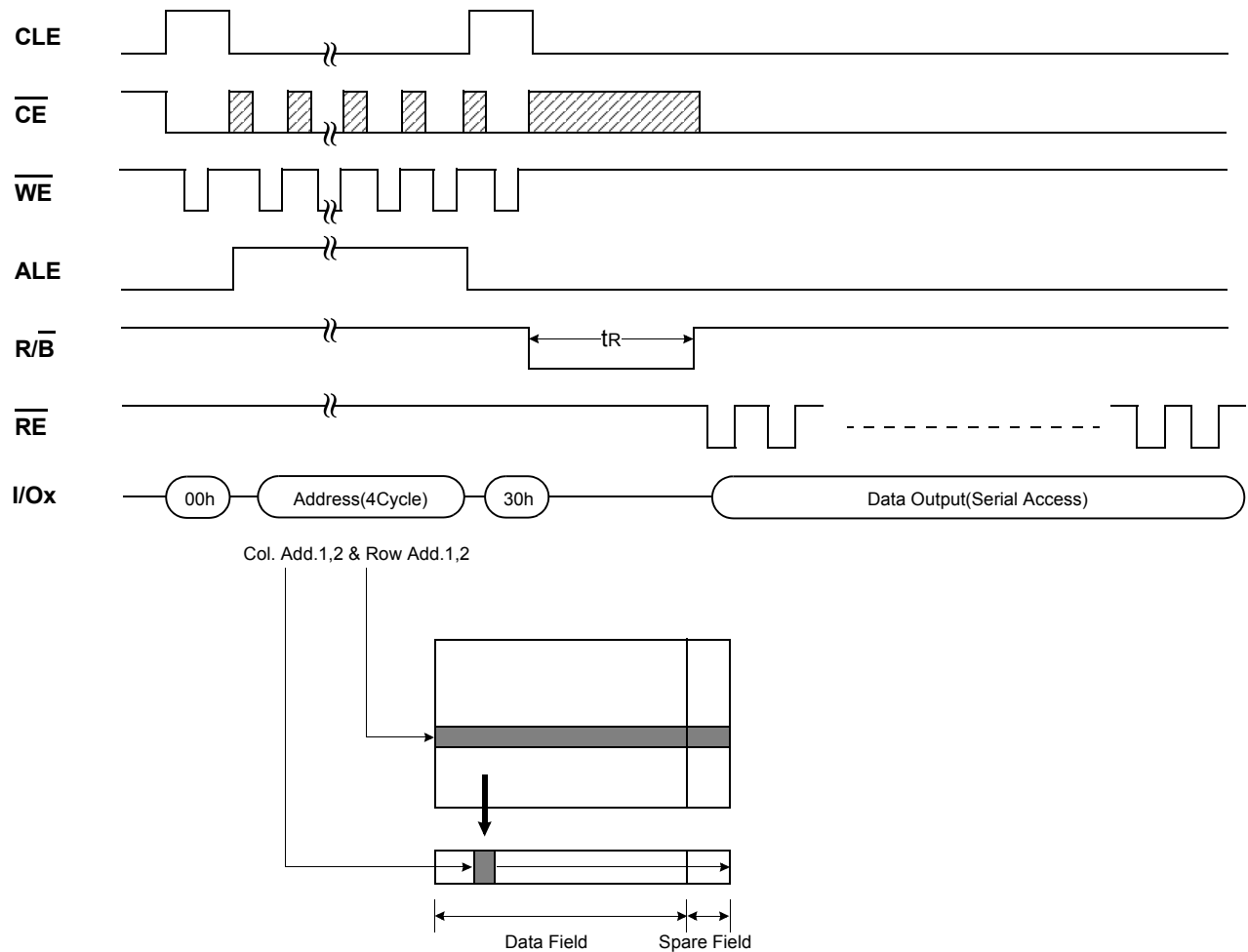
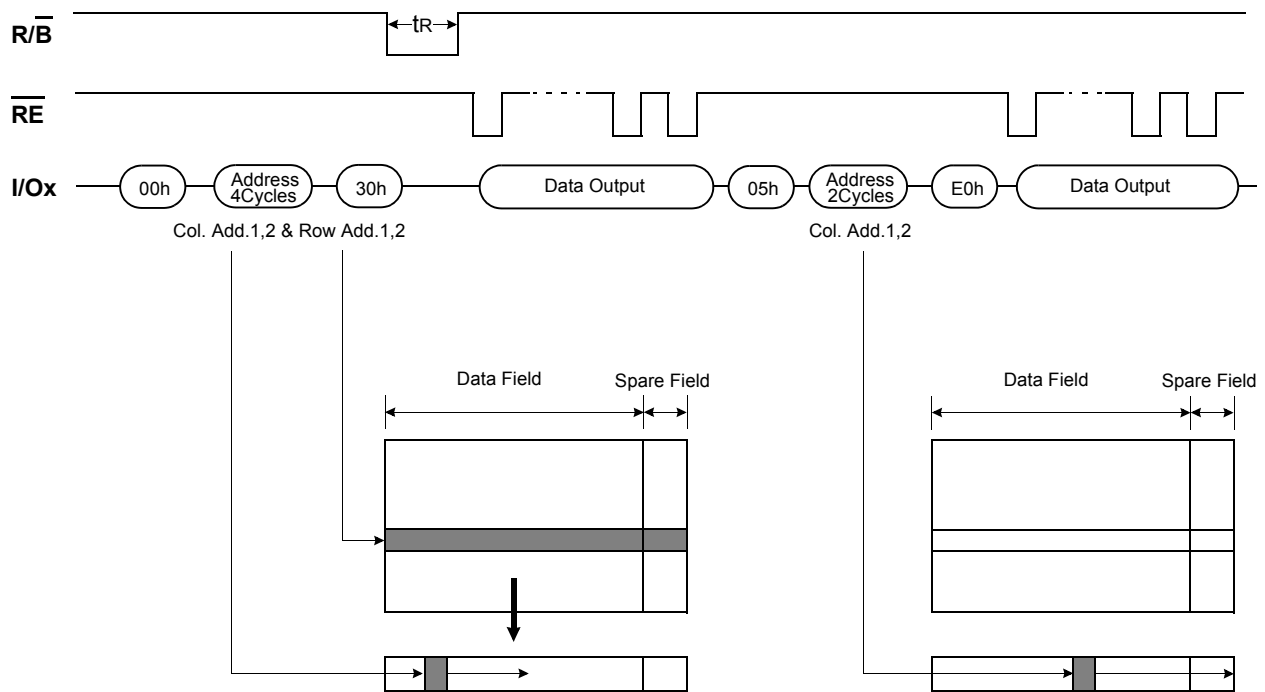


Figure 7. Random Data Output In a Page



**PAGE PROGRAM**

The device is programmed basically on a page basis, but it does allow multiple partial page programming of a word or consecutive bytes up to 2,112, in a single page program cycle. The number of consecutive partial page programming operation within the same page without an intervening erase operation must not exceed 4 times for a single page. The addressing should be done in sequential order in a block. A page program cycle consists of a serial data loading period in which up to 2,112bytes of data may be loaded into the data register, followed by a non-volatile programming period where the loaded data is programmed into the appropriate cell.

The serial data loading period begins by inputting the Serial Data Input command(80h), followed by the four cycle address inputs and then serial data loading. The words other than those to be programmed do not need to be loaded. The device supports random data input in a page. The column address for the next data, which will be entered, may be changed to the address which follows random data input command(85h). Random data input may be operated multiple times regardless of how many times it is done in a page. The Page Program confirm command(10h) initiates the programming process. Writing 10h alone without previously entering the serial data will not initiate the programming process. The internal write state controller automatically executes the algorithms and timings necessary for program and verify, thereby freeing the system controller for other tasks. Once the program process starts, the Read Status Register command may be entered to read the status register. The system controller can detect the completion of a program cycle by monitoring the R/B output, or the Status bit(I/O 6) of the Status Register. Only the Read Status command and Reset command are valid while programming is in progress. When the Page Program is complete, the Write Status Bit(I/O 0) may be checked(Figure 8). The internal write verify detects only errors for "1"s that are not successfully programmed to "0"s. The command register remains in Read Status command mode until another valid command is written to the command register.

Figure 8. Program & Read Status Operation

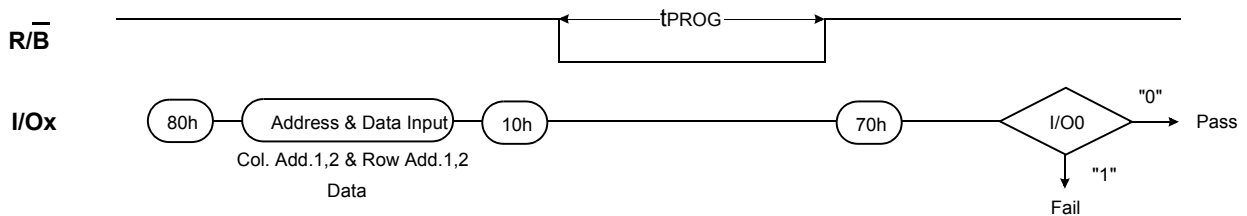
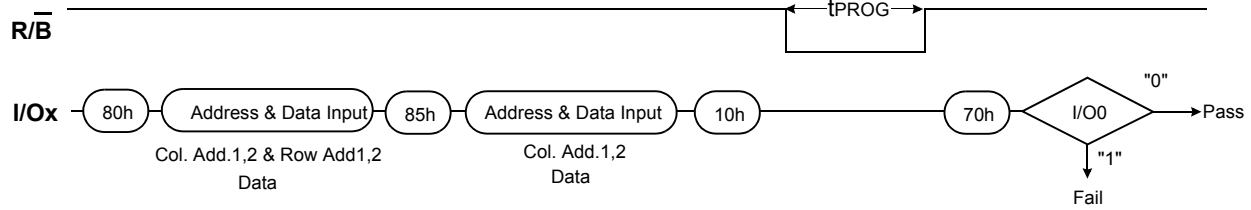


Figure 9. Random Data Input In a Page

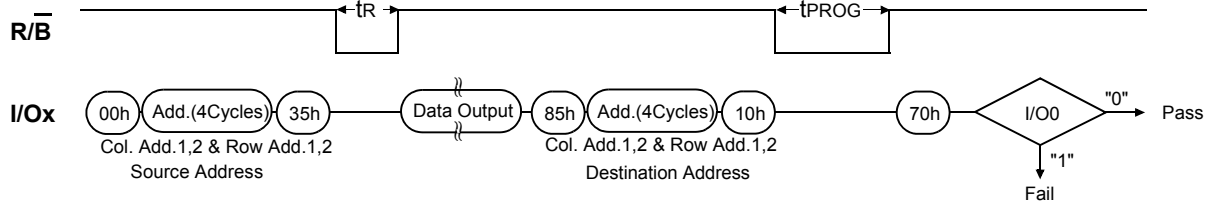


**Copy-Back Program**

Copy-Back program with Read for Copy-Back is configured to quickly and efficiently rewrite data stored in one page. The benefit is especially obvious when a portion of a block is updated and the rest of the block also needs to be copied to the newly assigned free block. Copy-Back operation is a sequential execution of Read for Copy-Back and of copy-back program with the destination page address. A read operation with "35h" command and the address of the source page moves the whole 2,112-byte data into the internal data buffer. A bit error is checked by sequential reading the data output. In the case where there is no bit error, the data do not need to be reloaded. Therefore Copy-Back program operation is initiated by issuing Page-Copy Data-Input command (85h) with destination page address. Actual programming operation begins after Program Confirm command (10h) is issued. Once the program process starts, the Read Status Register command (70h) may be entered to read the status register. The system controller can detect the completion of a program cycle by monitoring the R/B output, or the Status bit(I/O 6) of the Status Register. When the Copy-Back Program is complete, the Write Status Bit(I/O 0) may be checked(Figure 10). The command register remains in Read Status command mode until another valid command is written to the command register.

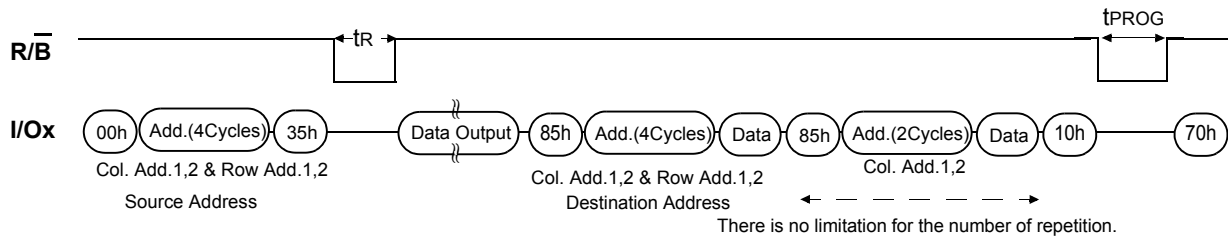
During copy-back program, data modification is possible using random data input command (85h) as shown in Figure11.

Figure 10. Page Copy-Back Program Operation



Note : Copy-Back Program operation is allowed only within the same memory plane.

Figure 11. Page Copy-Back Program Operation with Random Data Input



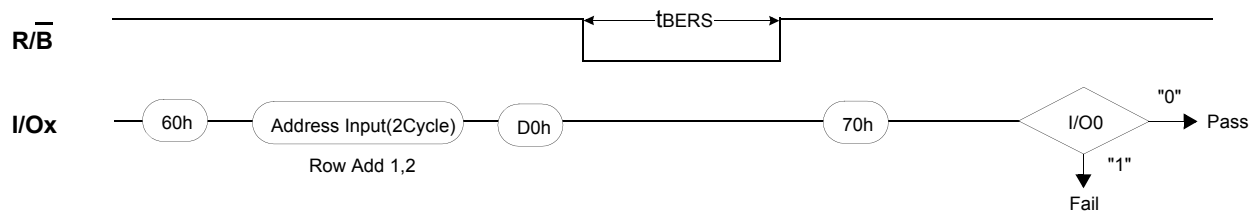


**BLOCK ERASE**

The Erase operation is done on a block basis. Block address loading is accomplished in two cycles initiated by an Erase Setup command(60h). Only address A18 to A27 is valid while A12 to A17 is ignored. The Erase Confirm command(D0h) following the block address loading initiates the internal erasing process. This two-step sequence of setup followed by execution command ensures that memory contents are not accidentally erased due to external noise conditions.

At the rising edge of WE after the erase confirm command input, the internal write controller handles erase and erase-verify. When the erase operation is completed, the Write Status Bit(I/O 0) may be checked. Figure 12 details the sequence.

**Figure 12. Block Erase Operation**



**READ STATUS**

The device contains a Status Register which may be read to find out whether program or erase operation is completed, and whether the program or erase operation is completed successfully. After writing 70h command to the command register, a read cycle outputs the content of the Status Register to the I/O pins on the falling edge of  $\overline{CE}$  or  $\overline{RE}$ , whichever occurs last. This two line control allows the system to poll the progress of each device in multiple memory connections even when  $R/\overline{B}$  pins are common-wired.  $\overline{RE}$  or  $\overline{CE}$  does not need to be toggled for updated status. Refer to Table 2 for specific Status Register definitions. The command register remains in Status Read mode until further commands are issued to it. Therefore, if the status register is read during a random read cycle, the read command(00h) should be given before starting read cycles.

**Table 2. Status Register Definition for 70h Command**

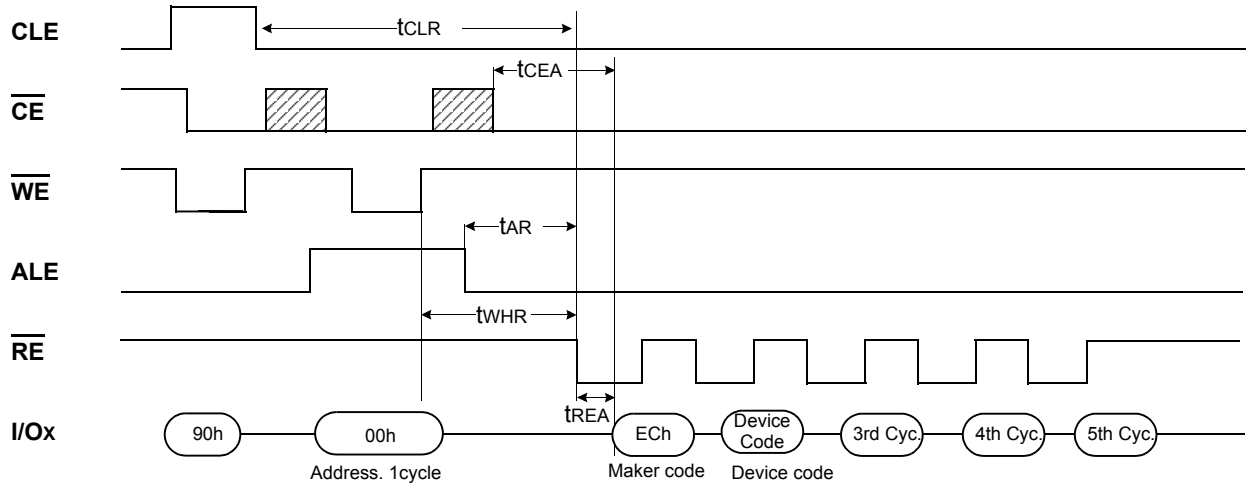
I/O	Page Program	Block Erase	Read	Definition
I/O 0	Pass/Fail	Pass/Fail	Not use	Pass : "0"      Fail : "1"
I/O 1	Not use	Not use	Not use	Don't -cared
I/O 2	Not use	Not use	Not use	Don't -cared
I/O 3	Not Use	Not Use	Not Use	Don't -cared
I/O 4	Not Use	Not Use	Not Use	Don't -cared
I/O 5	Not Use	Not Use	Not Use	Don't -cared
I/O 6	Ready/Busy	Ready/Busy	Ready/Busy	Busy : "0"      Ready : "1"
I/O 7	Write Protect	Write Protect	Write Protect	Protected : "0"      Not Protected : "1"

Note : I/Os defined 'Not use' are recommended to be masked out when Read Status is being executed.

**Read ID**

The device contains a product identification mode, initiated by writing 90h to the command register, followed by an address input of 00h. Five read cycles sequentially output the manufacturer code(ECh), and the device code and 3rd, 4th, 5th cycle ID respectively. The command register remains in Read ID mode until further commands are issued to it. Figure 13 shows the operation sequence.

**Figure 13. Read ID Operation**

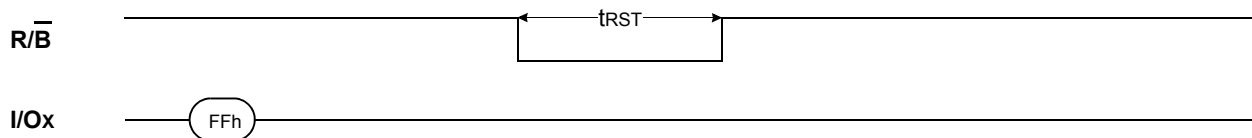


Device	Device Code (2nd Cycle)	3rd Cycle	4th Cycle	5th Cycle
K9F1G08B0C	Same as K9F1G08U0C			
K9F1G08U0C	F1h	00h	95h	40h

**RESET**

The device offers a reset feature, executed by writing FFh to the command register. When the device is in Busy state during random read, program or erase mode, the reset operation will abort these operations. The contents of memory cells being altered are no longer valid, as the data will be partially programmed or erased. The command register is cleared to wait for the next command, and the Status Register is cleared to value C0h when  $\overline{WP}$  is high. If the device is already in reset state a new reset command will be accepted by the command register. The  $\overline{R/B}$  pin changes to low for tRST after the Reset command is written. Refer to Figure 14 below.

**Figure 14. RESET Operation**

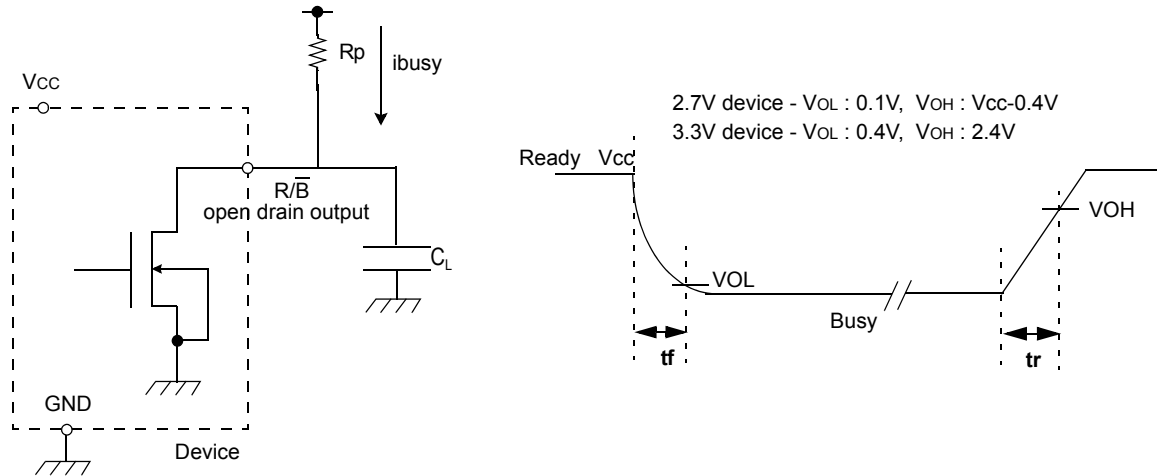


**Table 3. Device Status**

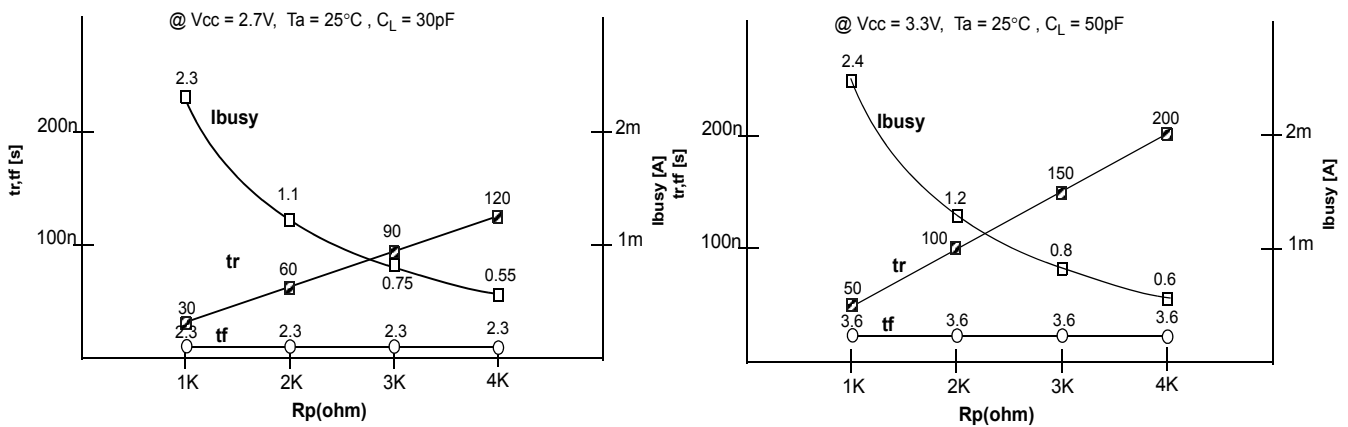
	After Power-up	After Reset
Operation mode	00h Command is latched	Waiting for next command

**READY/BUSY**

The device has a  $\overline{R/B}$  output that provides a hardware method of indicating the completion of a page program, erase and random read completion. The  $\overline{R/B}$  pin is normally high but transitions to low after program or erase command is written to the command register or random read is started after address loading. It returns to high when the internal controller has finished the operation. The pin is an open-drain driver thereby allowing two or more  $\overline{R/B}$  outputs to be Or-tied. Because pull-up resistor value is related to  $t_r(\overline{R/B})$  and current drain during busy ( $i_{busy}$ ), an appropriate value can be obtained with the following reference chart (Fig.15). Its value can be determined by the following guidance.



**Figure 15. Rp vs tr ,tf & Rp vs ibusy**



**Rp value guidance**

$$R_{p(\min, 2.7V \text{ part})} = \frac{V_{cc(\text{Max.})} - V_{OL(\text{Max.})}}{I_{OL} + \sum I_L} = \frac{2.5V}{3mA + \sum I_L}$$

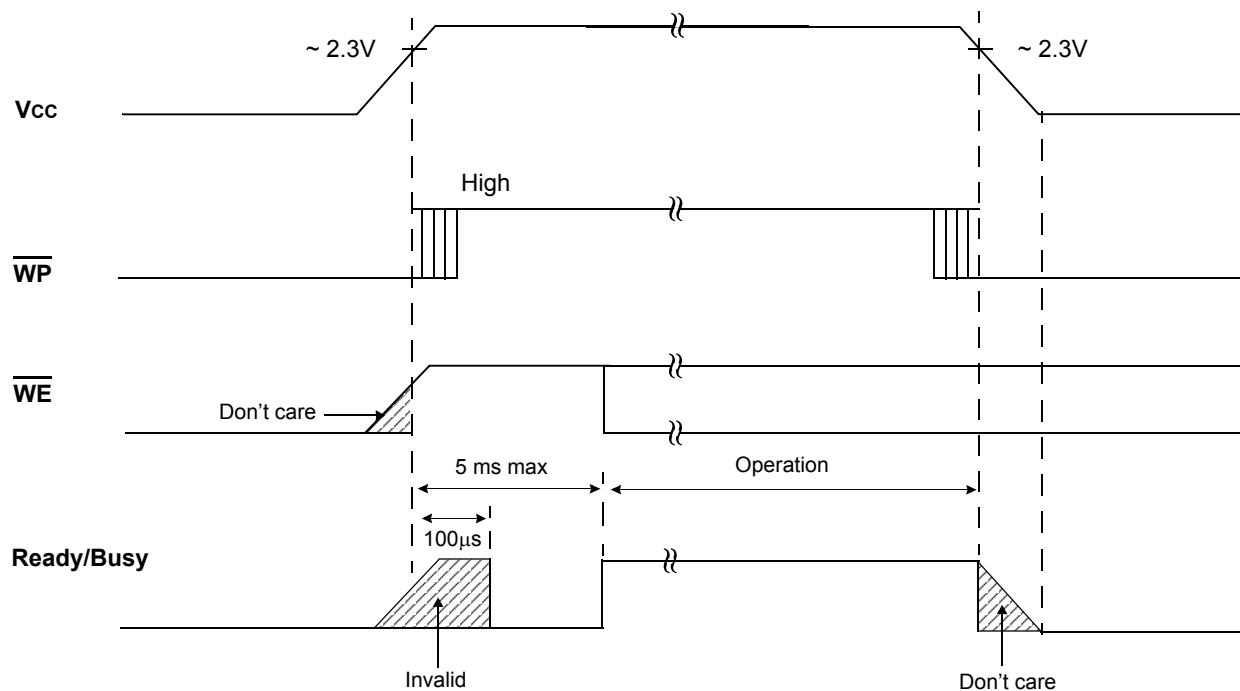
$$R_{p(\min, 3.3V \text{ part})} = \frac{V_{cc(\text{Max.})} - V_{OL(\text{Max.})}}{I_{OL} + \sum I_L} = \frac{3.2V}{8mA + \sum I_L}$$

where  $I_L$  is the sum of the input currents of all devices tied to the  $\overline{R/B}$  pin.  
 $R_{p(\max)}$  is determined by maximum permissible limit of  $t_r$

**Data Protection & Power up sequence**

The device is designed to offer protection from any involuntary program/erase during power-transitions. An internal voltage detector disables all functions whenever Vcc is below about 1.8V(2.7V device), 2V(3.3V device).  $\overline{WP}$  pin provides hardware protection and is recommended to be kept at VIL during power-up and power-down. A recovery time of minimum 100µs is required before internal circuit gets ready for any command sequences as shown in Figure 16. The two step command sequence for program/erase provides additional software protection.

**Figure 16. AC Waveforms for Power Transition**



Note :During the initialization, the device consumes a maximum current of 30mA (ICC1)