

atrin **electronic**

Expertise, variety and quality



www.atrinelec.com

آترین الکترونیک

تخصص، تنوع و کیفیت

02166766957 - 02166766927



info@atrinelec.com



تهران پاساژ امجد طبقه 1 واحد 16



@atrinelec





Features :

- n Isolated mounting base 2500V~
- n Solder joint technology with Increased power cycling capability
- n Space and weight saving

Typical Applications

- n Inverter
- n Inductive heating
- n Chopper

V_{RSM}	V_{RRM}	Type & Outline
900V	800V	MDS50-08
1100V	1000V	MDS50-10
1300V	1200V	MDS50-12
1500V	1400V	MDS50-14
1700V	1600V	MDS50-16
1900V	1800V	MDS50-18

SYMBOL	CHARACTERISTIC	TEST CONDITIONS	$T_j(^{\circ}C)$	VALUE			UNIT
				Min	Type	Max	
I_O	DC output current	Three-phase full wave rectifying circuit, $T_c=100^{\circ}C$	150			50	A
I_{RRM}	Repetitive peak current	at V_{RRM}	150			8	mA
I_{FSM}	Surge forward current	10ms half sine wave	150			0.40	KA
I^2t	I^2t for fusing coordination	$V_R=0$				0.8	$A^2s \cdot 10^3$
V_{FO}	Threshold voltage		150			0.7	V
r_F	Forward slop resistance					6.0	$m\Omega$
V_{FM}	Peak forward voltage	$I_{FM}=50A$	25			1.20	V
$R_{th(j-c)}$	Thermal resistance Junction to case	Single side cooled				0.30	$^{\circ}C/W$
$R_{th(c-h)}$	Thermal resistance case to heatsink	Single side cooled				0.07	$^{\circ}C/W$
V_{iso}	Isolation voltage	50Hz,R.M.S,t=1min, $I_{iso}:1mA(max)$		2500			V
F_m	Terminal connection torque(M5)				4.0		N·m
	Mounting torque(M6)				6.0		N·m
T_{stg}	Stored temperature			-40		125	$^{\circ}C$
W_t	Weight				185		g
Outline	220H5 /218H5 /219H5 /232H5						

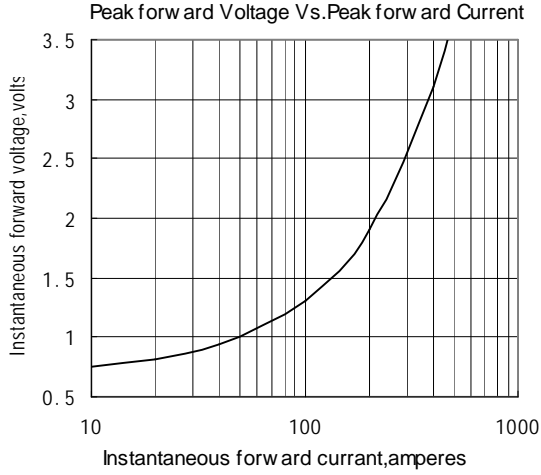


Fig.1

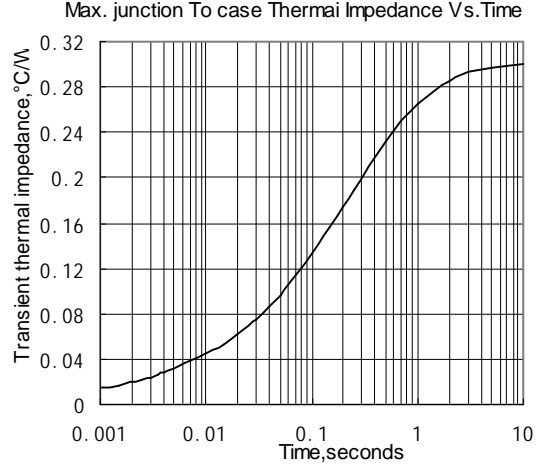


Fig.2

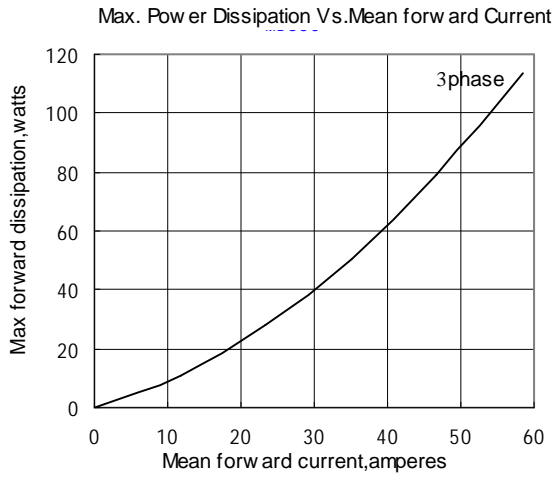


Fig.3

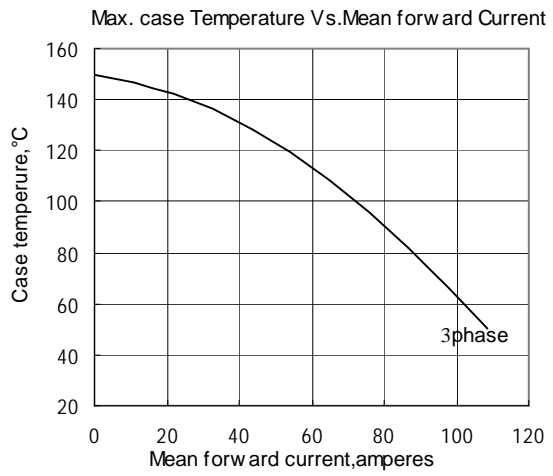


Fig.4

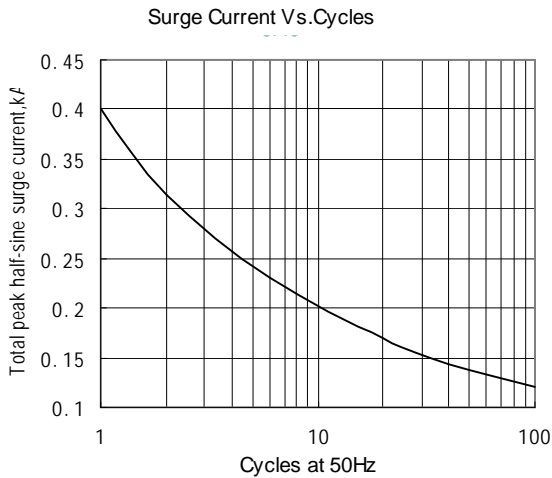


Fig.5

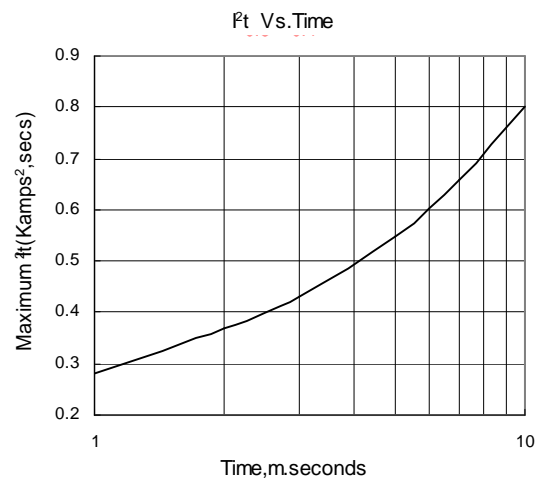
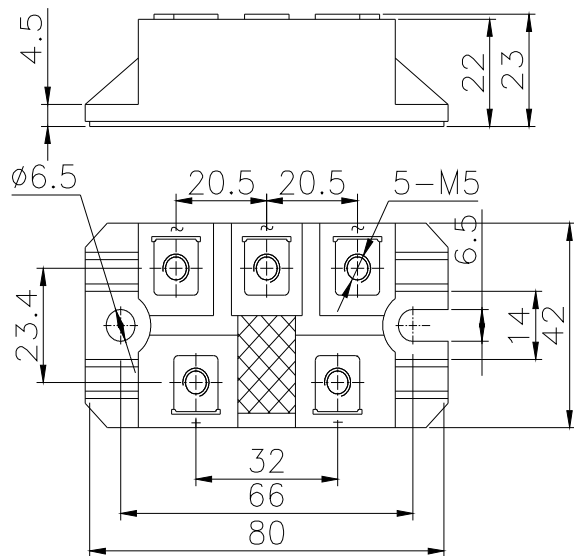
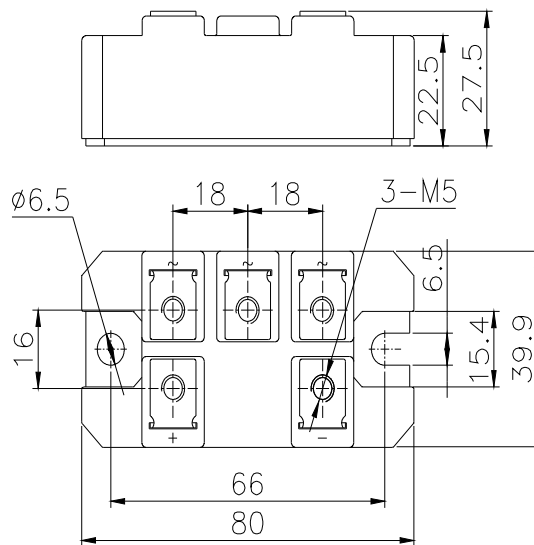


Fig.6

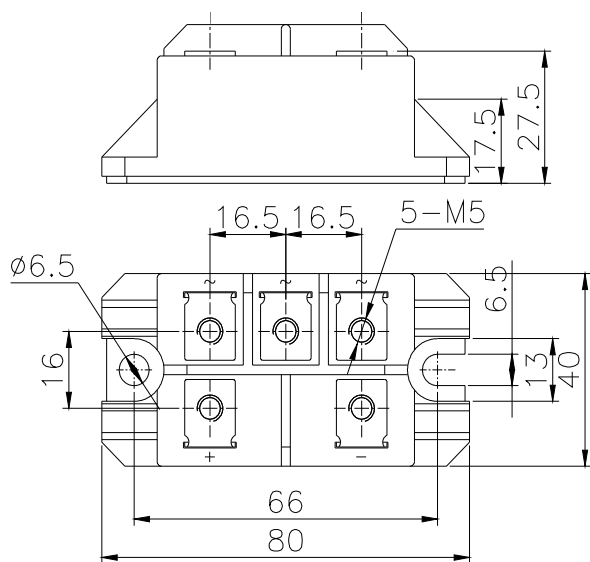
Outline:



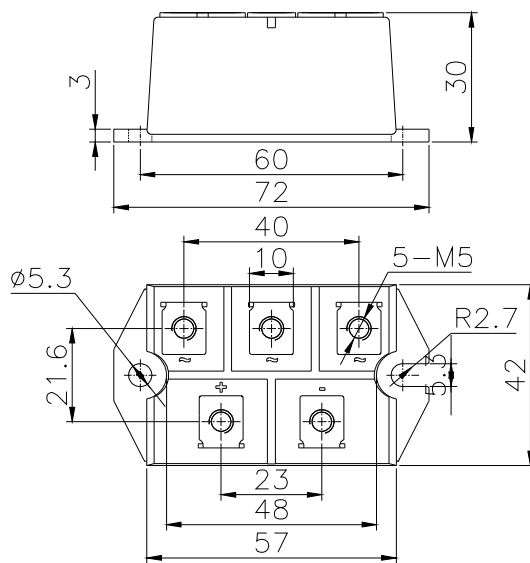
220H5



218H5



219H5



232H5

