

atrin **electronic**

Expertise, variety and quality



www.atrinelec.com

آترین الکترونیک

تخصص، تنوع و کیفیت

02166766957 - 02166766927



info@atrinelec.com



تهران پاساژ امجد طبقه 1 واحد 16



@atrinelec



GENERAL DESCRIPTION

The MK70110 and MK70120 are Bluetooth modules that operate in the 2.4 GHz band. Mounted on the board of each of these modules are Bluetooth baseband & RF transceiver IC, RF filter, flash memory, and TCXO. Lower protocol stacks up to the HCI are already installed in these modules as software. These modules can be connected to user's board product by using the connector the modules have. Since the modules are provided not only with the UART and USB interfaces as communication control interfaces but with a PCM interface as a voice control interface, they can cope with any application for data and voice communication.

The MK70110 is equipped with an RF coaxial connector, and the MK70120 has a chip antenna built-in.

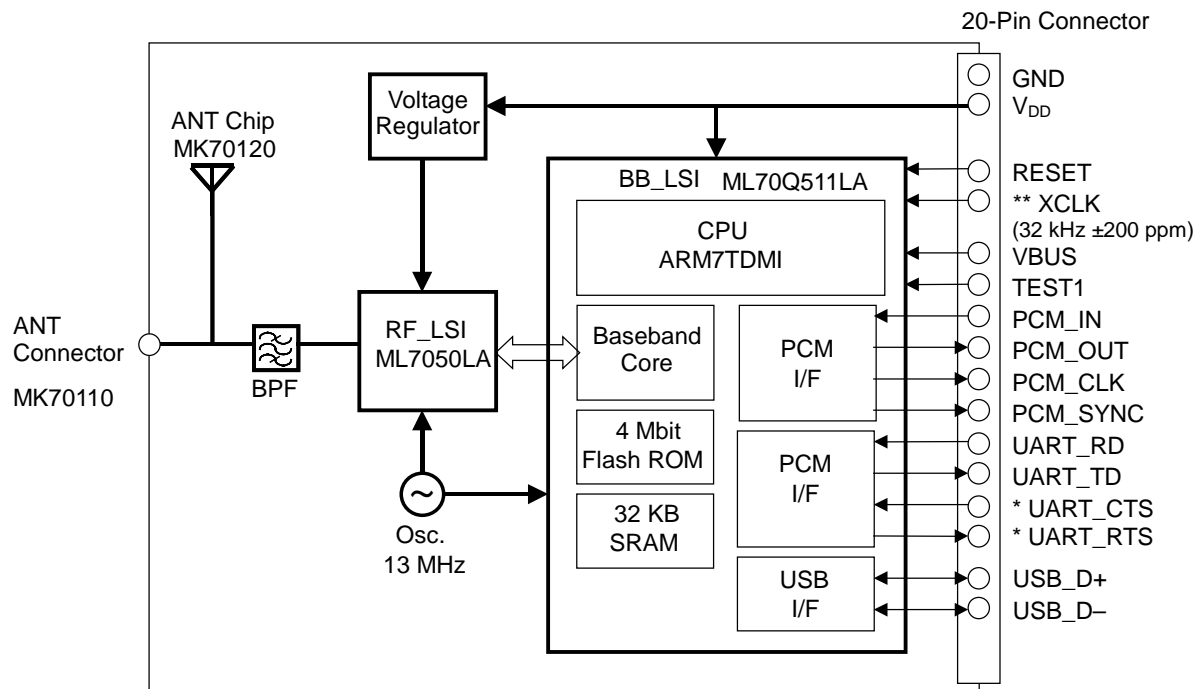
By utilizing the MK70110/MK70120, the development TAT for products equipped with Bluetooth can be shortened very effectively.

FEATURES

- Conforms to the Bluetooth Specification Version 1.1
- Optimized design where originally developed LSI chips and authorized Oki software are used
- HCI full module includes Bluetooth baseband IC & RF transceiver IC, flash memory and TCXO
- RF output power: Class 2
- RF I/O: MK70110: RF coaxial connector / MK70120: Internal chip antenna
- Interfaces provided
 - UART interface* (up to 921.6 kbps)
 - USB interface* (USB1.1-conformed)
 - PCM interface (selectable between PCM Linear/A-law/ μ -law)
- * Supports HCI commands.

BLUETOOTH is a trademark owned by Bluetooth SIG, Inc. and licensed to Oki Electric Industry.
The information contained herein can change without notice owing to the product being under development.

BLOCK DIAGRAM



Note: * indicates that the pin will be supported later.
 ** XCLK is optional

ABSOLUTE MAXIMUM RATINGS

Parameter	Symbol	Condition	Rating	Unit
Power supply voltage	V _{DD}	T _a = 25°C	-0.3 to 4.5	V
Input voltage	V _{IN}	T _a = 25°C	-0.3 to 4.5	V
Input RF power	—	T _a = 25°C	20	dBm
Storage temperature	T _{stg}	—	-20 to +70	°C

RECOMMENDED OPERATING CONDITIONS

Parameter	Symbol	Condition	Min.	Typ.	Max.	Unit
Power supply voltage	V_{DD}	—	3.2	—	3.45	V
“H” level input voltage	V_{ih}	—	2.2	—	3.6	V
“L” level input voltage	V_{il}	—	0	—	0.8	V
Operating temperature	T_{OP}	—	0	25	50	°C

ELECTRICAL CHARACTERISTICS

Specifications in this section are fulfilled under the conditions that $V_{DD} = 3.3 \text{ V} \pm 0.1 \text{ V}$, $T_a = 0 \text{ to } 50^\circ\text{C}$. Values of the RF characteristics represent those specified at the edge of the module for both the MK70110 and the MK70120.

General Specifications

Items	Specification	Note
Conformance Specifications	Bluetooth Specification Version 1.1	—
Power Class	Class 2	—
Frequency range	2,402 to 2,480 MHz	—
Number of channels	79ch	—
Channel separation	1 MHz	—
Modulation method	GFSK	—
RF input-output impedance	Nominal 50 Ω	2,402 to 2,480 MHz
Symbol Rate	1 Mbps	—

DC Characteristics

Output voltage (Applies to digital pins except USB ports)

Parameter	Symbol	Min.	Typ.	Max.	Unit
"H" level output voltage	V_{oh}	2.4	—	—	V
"L" level output voltage	V_{ol}	—	—	0.4	V

Output voltage (Applies to USB ports (USB_D+, USB_D-))

Parameter	Symbol	Min.	Typ.	Max.	Unit
"H" level output voltage	V_{oh}	2.8	—	3.6	V
"L" level output voltage	V_{ol}	—	—	0.3	V

Power consumption (UART interface, with 32 kHz XCLK)

Mode	Typ.	Max.	Unit
Initialize (Stop mode)	10	—	mA
Idle (Cold standby)	6	—	mA
Hold mode (Slave)	40	—	mA
Sniff mode (Slave)	40	—	mA
ACL connection DH1	103	125	mA
SCO connection HV1	113	135	mA

RF Transmission Characteristics

Parameter	Min.	Max.	Unit	Remarks
Output power	-6	+4	dBm	
Frequency deviation	-50	+50	kHz	
Frequency drift				
DH1	-25	+25	kHz	
DH3, DH5	-40	+40	kHz	
Frequency shift				
$\Delta f_{1\text{avg}}$: payload = 11110000	140	175	kHz	
$\Delta f_{2\text{max}}$: payload = 1010...	115	—	kHz	
$\Delta f_{2\text{avg}}/\Delta f_{1\text{avg}}$	80	—	%	
20 dB band width	—	1	MHz	
In-band spurious emission				Measured by peak detection
Freq. offset = ± 2 MHz	—	-20	dBm	
Freq. offset $\geq \pm 3$ MHz	—	-40	dBm	
Out-of-band spurious emission				
$30 \text{ MHz} \leq f < 1 \text{ GHz}$	—	-36	dBm	
$1 \text{ GHz} \leq f \leq 12.75 \text{ GHz}$	—	-30	dBm	
$1.8 \text{ GHz} \leq f \leq 1.9 \text{ GHz}$	—	-47	dBm	
$5.15 \text{ GHz} \leq f \leq 5.30 \text{ GHz}$	—	-47	dBm	

Reception Characteristics

Parameter	Min.	Max.	Unit	Remarks
Reception sensitivity	—	0.1	%	at -70 dBm input
C/I characteristics				Specification at ordinary temperature (Bluetooth Ver.1.1 Test Specification)
Co-channel	—	14	dB	
Adjacent channel C/I = 1 MHz	—	4	dB	
Adjacent channel C/I = 2 MHz	—	-30 ^{*1}	dB	
Adjacent channel C/I ≥ 3 MHz	—	-40 ^{*1}	dB	
Image frequency ^{*2}	—	-6	dB	
Image frequency ±1 MHz ^{*2}	—	-16	dB	
Out-of-band blocking				Specification at ordinary temperature
30 MHz ≤ f < 2,000 MHz	-10	—	dBm	
2,000 MHz ≤ f ≤ 2,399 MHz	-27	—	dBm	
2,498 MHz ≤ f < 3,000 MHz	-27	—	dBm	
3,000 MHz ≤ f ≤ 12.75 GHz	-10	—	dBm	
Intermodulation characteristic	-25	—	dB	Specification at ordinary temperature
Maximum input level	—	0.1	%	Specification at ordinary temperature, at -20 dBm input
Limit of collateral radio waves				Spurious emission during inquiry scan operation
30 MHz ≤ f < 1 GHz	—	-57	dBm	
1 GHz ≤ f ≤ 12.75 GHz	—	-47	dBm	

***1 Relaxed C/I specification**

On five spurious response frequencies with a distance of ≥ 2 MHz from the wanted signal (except for image frequency and image ±1 MHz), a relaxed interference requirement C/I = -17 dB is applied. (According to Bluetooth Specification 1.1, Part A Radio Specification)

***2 Image Frequencies and adjacent interference to image**

Image frequency = Co-channel -4 MHz

±1 MHz adjacent interference to image frequency = Co-channel -3 MHz, Co-channel -5 MHz

MECHANICAL CHARACTERISTICS

Weight Specifications

Model Name	Weight
MK70120 (antenna built-in type)	3.6 g (Max.)
MK70110 (RF coaxial connector type)	3.5 g (Max.)

RF I/O Pin Specifications

The following chip antenna and RF coaxial connector are mounted:

Model Name	RF I/O Type	Manufacturer / Model Name
MK70120	Chip antenna	MURATA MFG. / ANCM12G45
MK70110	RF coaxial connector	HIROSE ELECTRIC / U.FL-R-SMT

Connector Specifications

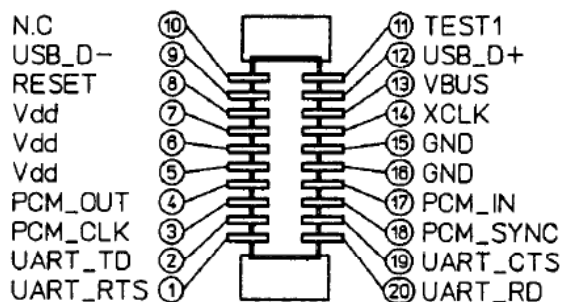
The following board-to-board connector is mounted:

Interface Type	Manufacturer / Series Name
Board-to-board connector	Matsushita Electric Works / AXK6F20345

A header is mounted on the module side.

It is therefore recommended that a 2.0 mm high socket (AXK5F20545) be used against the socket insertion side of the connector.

Board-to-board Connector Detail



CONNECTOR PIN DESCRIPTIONS

Pin	Symbol	Type	Description	If Not Used
5, 6, 7	V _{DD}	—	Power supply pin ^{*1}	—
15, 16	GND	—	Ground pin	—
1	UART_RTS	O	UART Ready To Send (transmission data ready) ^{*2}	Pull_up or V _{DD}
19	UART_CTS	I	UART Clear To Send (transmission ready) ^{*2}	Pull_down or GND
2	UART_TD	O	UART transmission data	Pull_up or V _{DD}
20	UART_RD	I	UART receive data	Pull_up or V _{DD}
12	USB_D+	I/O	USB Data +	Open
9	USB_D-	I/O	USB Data -	Open
13	VBUS	I	HCI transport selection pin H: USB is used as HCI L: UART is used as HCI adhering to the above logic at power-on	—
4	PCM_OUT	O	PCM data output	Open
17	PCM_IN	I	PCM data input ^{*5}	Open
3	PCM_CLK	O	PCM clock output (64 kHz/128 kHz) ^{*5}	Open
18	PCM_SYNC	O	PCM synchronous signal input (8 kHz) ^{*5}	Open
8	RESET ^{*6}	I	Reset signal input pin Reset = L Effective reset pulse width > 10 μsec	Pull_up
14	XCLK	I	Subclock input pin 32 kHz ^{*3}	GND
11	TEST1	I	Test pin for our company's use ^{*4}	Open
10	N.C	—	N.C.	Open

*1 Mount an approximately 10 μF tantalum or electrolytic capacitor to the power supply input pin. The capacitor should be mounted as close to the power supply pin of the module as possible.

*2 At present, this pin is not supported. Must be left open.

*3 At present, this pin does not support a 32 kHz sub-clock. Connect to GND.

*4 Test pin for our company's use. Must be left open.

*5 The PCM_IN, CLK, and SYNC pins are pulled-down internally.

*6 Setting the reset signal input pin RESET to a "L" level can reset the LSI. The reset state of the LSI is held for a duration of 10 msec even after the reset signal is switched to a "H" level.

INTERFACE SPECIFICATIONS

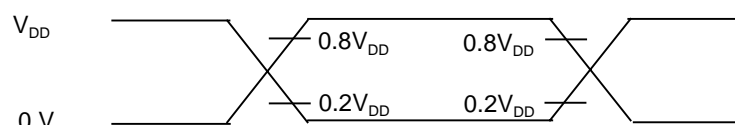
USB Interface

- Conforms to USB 1.1
- Supports 12 Mbps

Parameter	Symbol	Condition [1], [2], [3]	Min.	Typ.	Max.	Unit
Rise time	TR	$C_L = 50 \text{ pF}$	4	—	20	ns
Fall time	TF		4	—	20	
Output signal crossover voltage	VCRS	$C_L = 50 \text{ pF}$	1.3	—	2	V
Driver output resistance	ZDRV	When being driven in a steady state	28	—	44	Ω
Data rate	TDRATE	Average bit rate (12 Mbps $\pm 0.25\%$)	11.97	—	12.03	Mbps

[1] TR and TF are the intervals of the transition time from 10% to 90% (TR) or from 90% to 10% (TF) of an amplitude.

[2] Input signal crossover point (When USB connector is not attached)



UART Interface

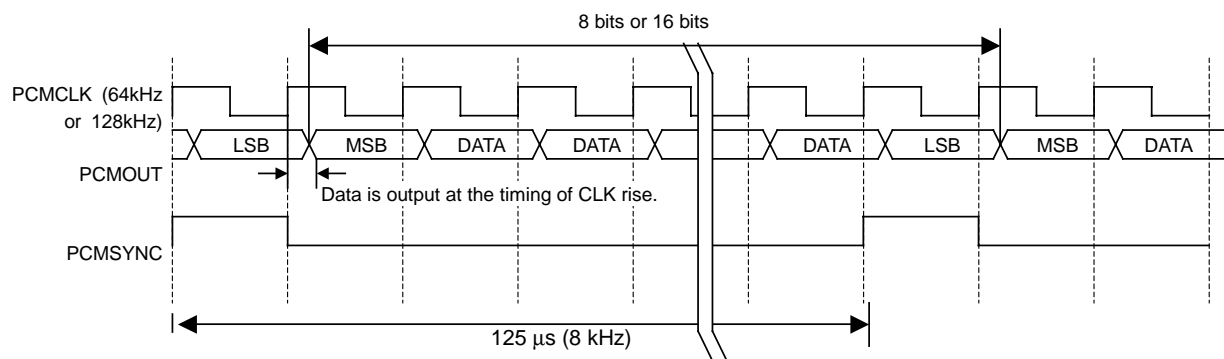
Various settings can be made for the UART interface by using the Vendor specific command (refer to the ML70110/MK70120 User's Manual).

The default values are as follows:

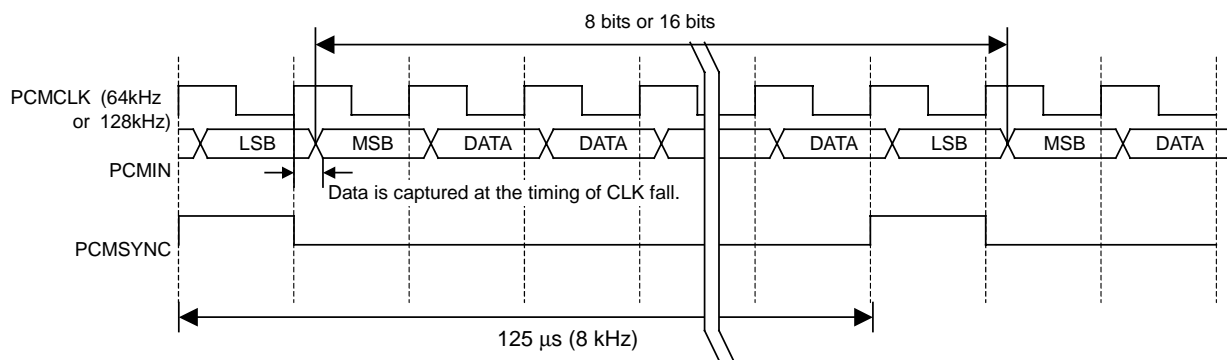
- Baud rate: 115.2 kbps
- Parity: Non-parity
- Data length: 8 bits
- Stop bit: 1 bit
- Flow control: off

PCM Interface

- Application format
PCM linear (8, 16 bits/sample, 64 kHz sampling frequency)/A-law/ μ -law
- Bluetooth format
CVSD/A-law/ μ -law



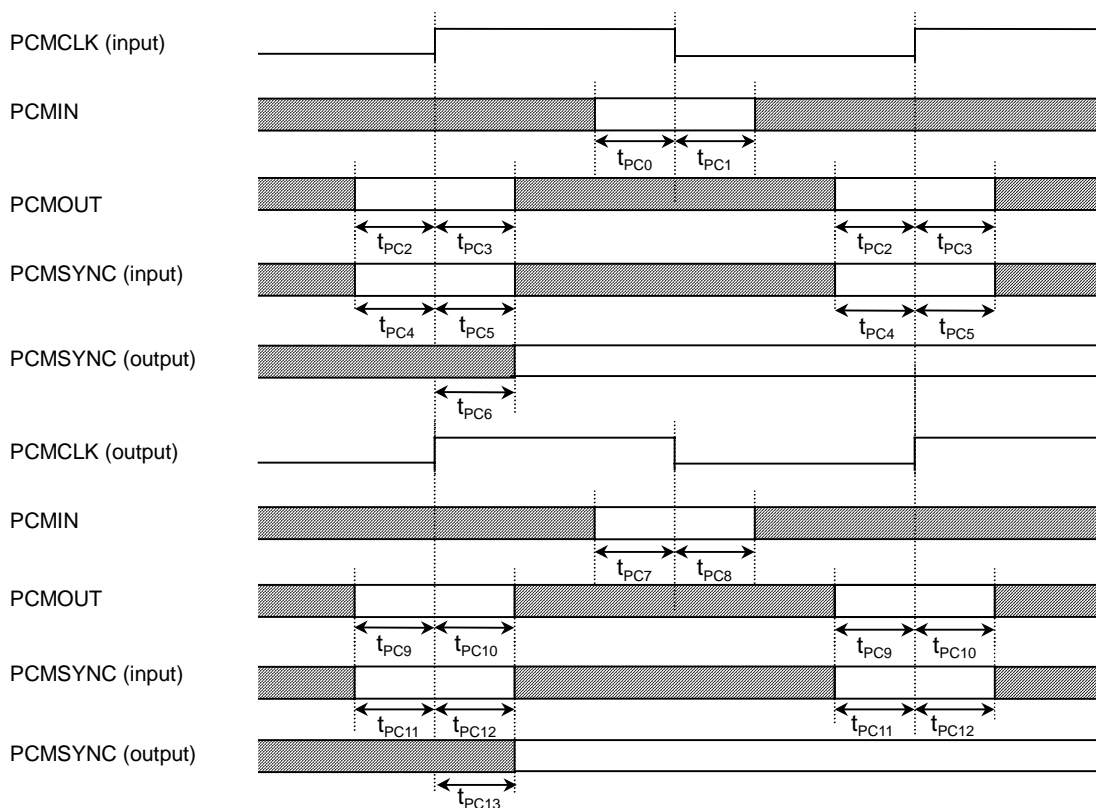
PCM Output Timing



PCM Input Timing

PCM Timing Specifications

Parameter	Symbol	Condition	Min.	Typ.	Max.	Unit
PCMIN setup time to PCMCLK (input) fall	t_{PC0}	$C_L = 50$ pF	500	—	—	ns
PCMIN hold time to PCMCLK (input) fall	t_{PC1}		500	—	—	
PCMOUT setup time to PCMCLK (input) rise	t_{PC2}		500	—	—	
PCMOUT hold time to PCMCLK (input) rise	t_{PC3}		500	—	—	
PCMSYNC (input) setup time to PCMCLK (input) rise	t_{PC4}		500	—	—	
PCMSYNC (input) hold time to PCMCLK (input) rise	t_{PC5}		500	—	—	
Delay time from PCMCLK (input) rise to PCMSYNC (output)	t_{PC6}		—	—	500	
PCMIN setup time to PCMCLK (output) fall	t_{PC7}		500	—	—	
PCMIN hold time to PCMCLK (output) fall	t_{PC8}		500	—	—	
PCMOUT setup time to PCMCLK (output) rise	t_{PC9}		500	—	—	
PCMOUT hold time to PCMCLK (output) rise	t_{PC10}		500	—	—	
PCMSYNC (input) setup time to PCMCLK (output) rise	t_{PC11}		500	—	—	
PCMSYNC (input) hold time to PCMCLK (output) rise	t_{PC12}		500	—	—	
Delay time from PCMCLK (output) rise to PCMSYNC (output)	t_{PC13}	—	—	500		

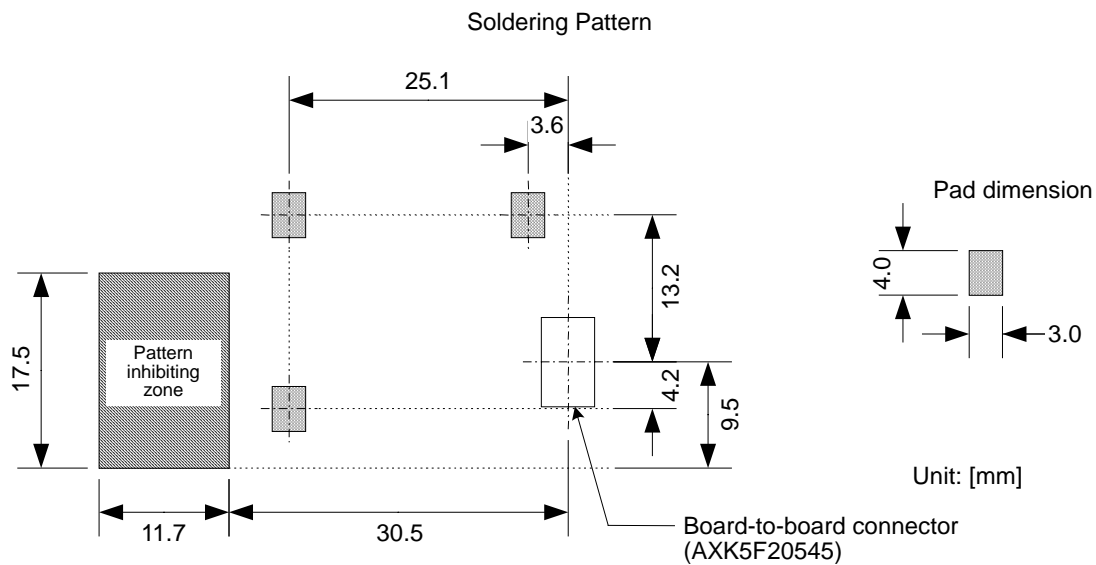


PCM Timing

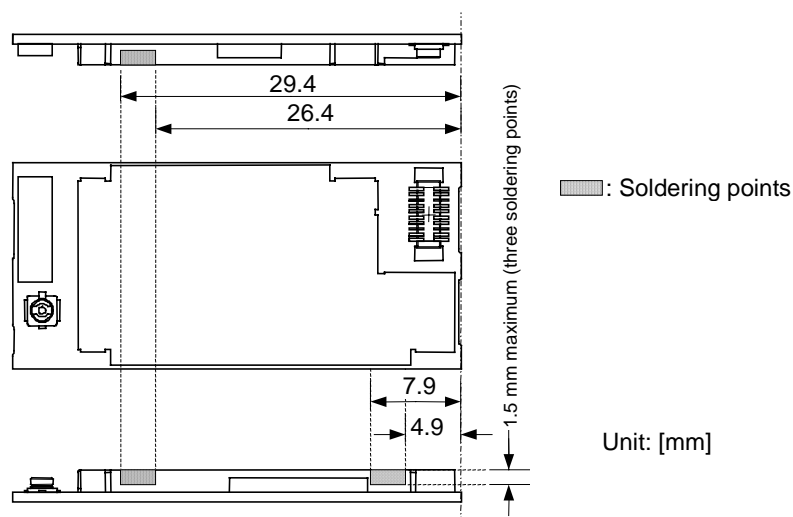
MOUNTING MODULE

Recommended Module Fixing Method

When this module is fixed on a product, our recommended method is to fit the module board-to-board connector (header) into the board-to-board connector (socket) mounted on the product board, and to solder the module shielding case to the product board.



The pattern inhibiting zone is applied to the MK70120 (antenna built-in type).



Soldering points in the shielding case for fixation on a product board

Notes on Mounting the Module

1. This module is not adaptable to reflow mounting. When soldering the shielding case to a product board, use a soldering iron.
2. If metal is placed around the antenna, the antenna characteristics may deteriorate. Do not place copper foil in the pattern inhibiting zone shown in the above section. Do not place metal around the antenna if possible. (Only for MK70120).
3. The shielding case is connected to GND in the module. For mounting the module, when pattern wiring that touches the shielding case is carried out on the product board, do not cause a short-circuit between the shielding case and the pattern. For example, apply resist on the entire surface that touches the shielding case.
4. The effects of noise on a product board depend on the connection of GND/NC to the fixation pads. Select the connection with better electrical characteristics in the module mounted state.

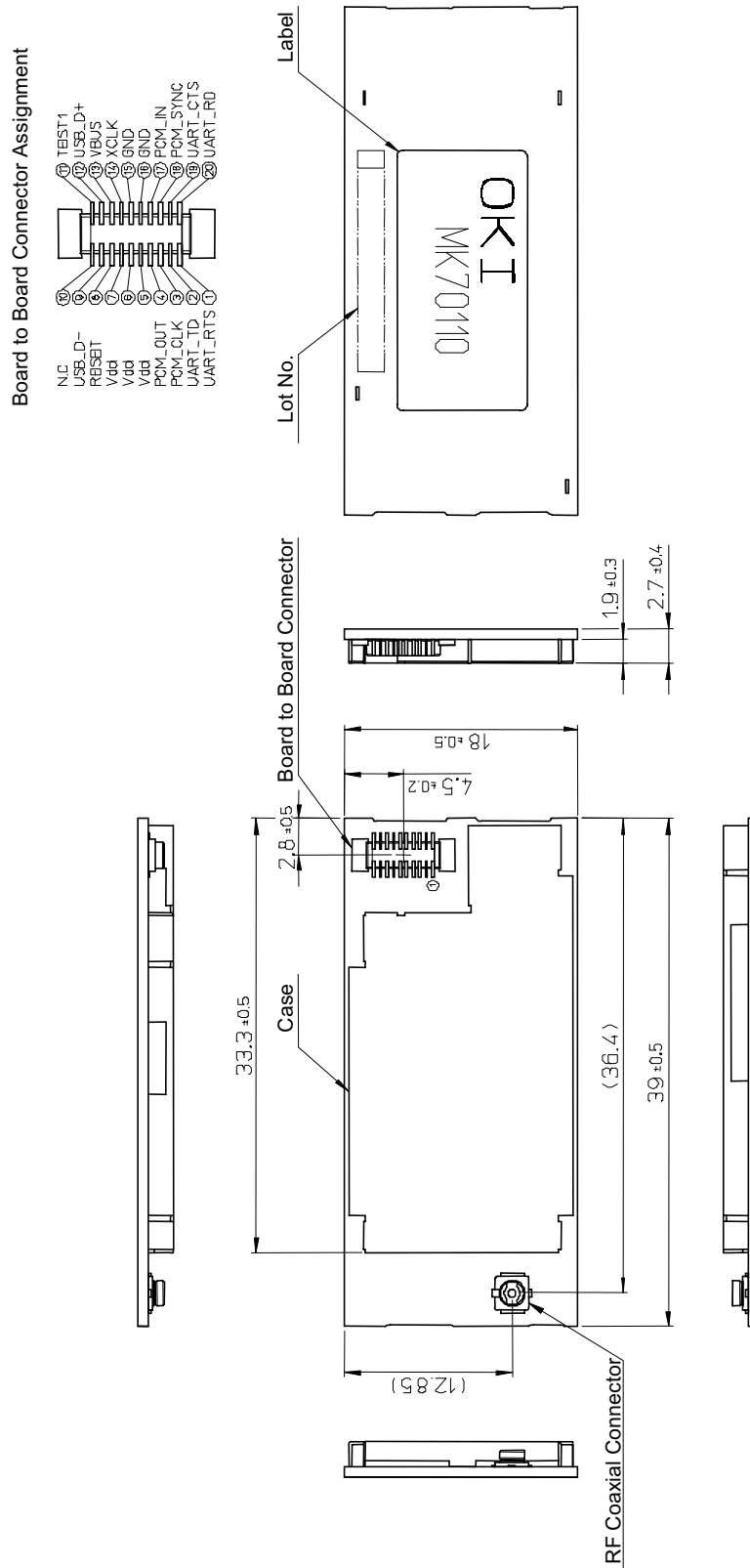
CAUTIONS IN USE

This module consists of precision electronic components. Therefore, note the following when handling the module:

1. In a case of decomposition or recomposition of this module, the operations in these specifications are not assured.
2. This module is not waterproof or drip-proof. Do not use the module in wet locations.
3. Do not use this module under high temperature or high humidity conditions, in direct sunlight, or in dusty places.

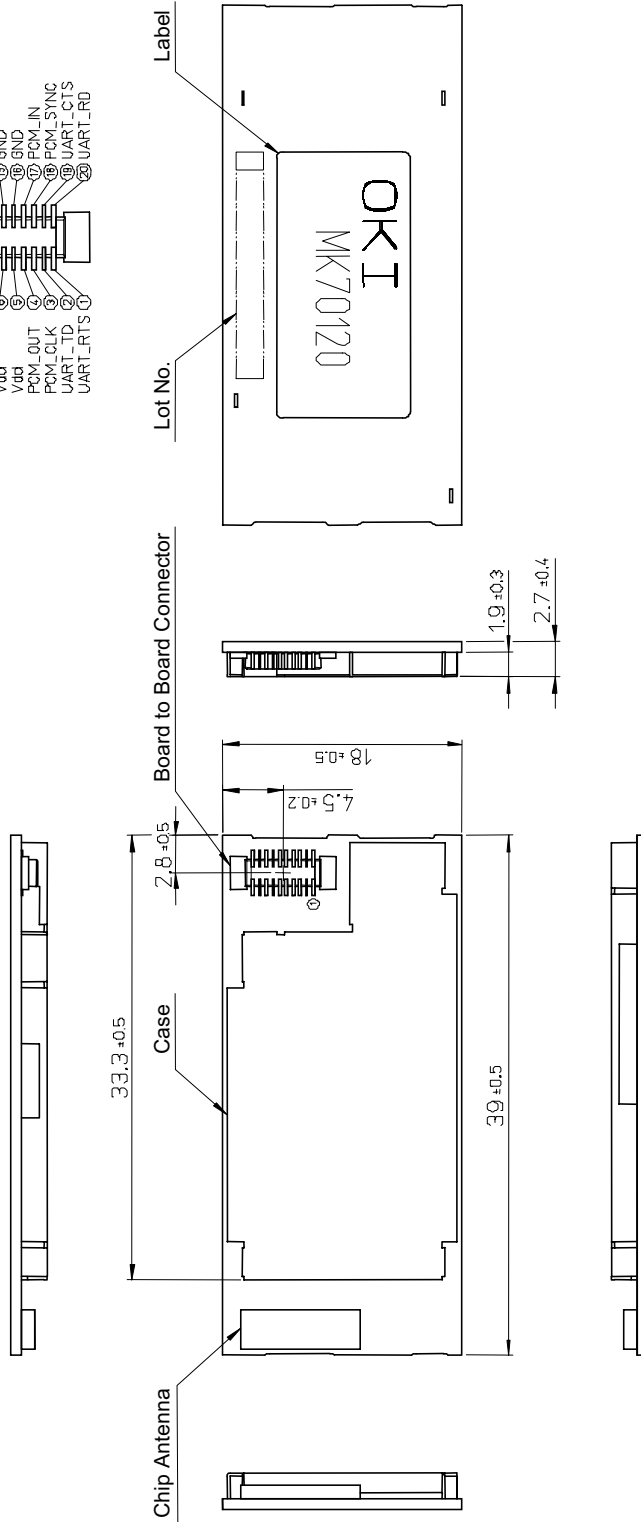
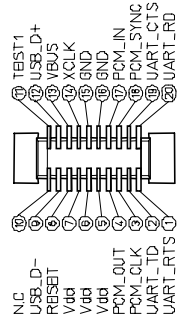
MODULE OUTLINE

Outline of MK70110



Outline of MK70120

Board to Board Connector Assignment



REVISION HISTORY

Document No.	Date	Page		Description
		Previous Edition	Current Edition	
PEDLMK70-01	Aug. 2001	–	–	Preliminary edition 1
PEDLMK70-02	Apr. 24, 2002	–	–	Preliminary edition 2
				Owing to the device name change from MK70 Series to MK70110/MK70120, the contents have been changed throughout the document.

NOTICE

1. The information contained herein can change without notice owing to product and/or technical improvements. Before using the product, please make sure that the information being referred to is up-to-date.
2. The outline of action and examples for application circuits described herein have been chosen as an explanation for the standard action and performance of the product. When planning to use the product, please ensure that the external conditions are reflected in the actual circuit, assembly, and program designs.
3. When designing your product, please use our product below the specified maximum ratings and within the specified operating ranges including, but not limited to, operating voltage, power dissipation, and operating temperature.
4. Oki assumes no responsibility or liability whatsoever for any failure or unusual or unexpected operation resulting from misuse, neglect, improper installation, repair, alteration or accident, improper handling, or unusual physical or electrical stress including, but not limited to, exposure to parameters beyond the specified maximum ratings or operation outside the specified operating range.
5. Neither indemnity against nor license of a third party's industrial and intellectual property right, etc. is granted by us in connection with the use of the product and/or the information and drawings contained herein. No responsibility is assumed by us for any infringement of a third party's right which may result from the use thereof.
6. The products listed in this document are intended for use in general electronics equipment for commercial applications (e.g., office automation, communication equipment, measurement equipment, consumer electronics, etc.). These products are not authorized for use in any system or application that requires special or enhanced quality and reliability characteristics nor in any system or application where the failure of such system or application may result in the loss or damage of property, or death or injury to humans. Such applications include, but are not limited to, traffic and automotive equipment, safety devices, aerospace equipment, nuclear power control, medical equipment, and life-support systems.
7. Certain products in this document may need government approval before they can be exported to particular countries. The purchaser assumes the responsibility of determining the legality of export of these products and will take appropriate and necessary steps at their own expense for these.
8. No part of the contents contained herein may be reprinted or reproduced without our prior permission.

Copyright 2002 Oki Electric Industry Co., Ltd.