

**atrin** **electronic**

Expertise, variety and quality



www.atrinelec.com

**آترین الکترونیک**

تخصص، تنوع و کیفیت

02166766957 - 02166766927



info@atrinelec.com



تهران پاساژ امجد طبقه 1 واحد 16



@atrinelec





# 6-Pin DIP Random-Phase Optoisolators Triac Drivers (600 Volts Peak)

The MOC3051 Series consists of a GaAs infrared LED optically coupled to a non-Zero-crossing silicon bilateral AC switch (triac). The MOC3051 Series isolates low voltage logic from 115 and 240 Vac lines to provide random phase control of high current triacs or thyristors. The MOC3051 Series features greatly enhanced static dv/dt capability to ensure stable switching performance of inductive loads.

- **To order devices that are tested and marked per VDE 0884 requirements, the suffix "V" must be included at end of part number. VDE 0884 is a test option.**

### Recommended for 115/240 Vac(rms) Applications:

- Solenoid/Valve Controls
- Lamp Ballasts
- Static AC Power Switch
- Interfacing Microprocessors to 115 and 240 Vac Peripherals
- Solid State Relays
- Incandescent Lamp Dimmers
- Temperature Controls
- Motor Controls

### MAXIMUM RATINGS (T<sub>A</sub> = 25°C unless otherwise noted)

Rating	Symbol	Value	Unit
--------	--------	-------	------

### INFRARED EMITTING DIODE

Reverse Voltage	V <sub>R</sub>	3	Volts
Forward Current — Continuous	I <sub>F</sub>	60	mA
Total Power Dissipation @ T <sub>A</sub> = 25°C Negligible Power in Triac Driver Derate above 25°C	P <sub>D</sub>	100	mW
		1.33	mW/°C

### OUTPUT DRIVER

Off-State Output Terminal Voltage	V <sub>DRM</sub>	600	Volts
Peak Repetitive Surge Current (PW = 100 μs, 120 pps)	I <sub>TSM</sub>	1	A
Total Power Dissipation @ T <sub>A</sub> = 25°C Derate above 25°C	P <sub>D</sub>	300	mW
		4	mW/°C

### TOTAL DEVICE

Isolation Surge Voltage (1) (Peak ac Voltage, 60 Hz, 1 Second Duration)	V <sub>ISO</sub>	7500	Vac(pk)
Total Power Dissipation @ T <sub>A</sub> = 25°C Derate above 25°C	P <sub>D</sub>	330	mW
		4.4	mW/°C
Junction Temperature Range	T <sub>J</sub>	-40 to +100	°C
Ambient Operating Temperature Range (2)	T <sub>A</sub>	-40 to +85	°C
Storage Temperature Range(2)	T <sub>stg</sub>	-40 to +150	°C
Soldering Temperature (10 s)	T <sub>L</sub>	260	°C

1. Isolation surge voltage, V<sub>ISO</sub>, is an internal device dielectric breakdown rating. For this test, Pins 1 and 2 are common, and Pins 4, 5 and 6 are common.
2. Refer to Quality and Reliability Section in Opto Data Book for information on test conditions.

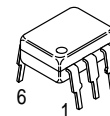
Preferred devices are Motorola recommended choices for future use and best overall value.

GlobalOptoisolator is a trademark of Motorola, Inc.

(Replaces MOC3050/D)

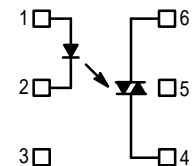
**MOC3051**  
[IFT = 15 mA Max]  
**MOC3052\***  
[IFT = 10 mA Max]  
\*Motorola Preferred Device

### STYLE 6 PLASTIC



STANDARD THRU HOLE  
CASE 730A-04

### COUPLER SCHEMATIC



1. ANODE
2. CATHODE
3. NC
4. MAIN TERMINAL
5. SUBSTRATE  
DO NOT CONNECT
6. MAIN TERMINAL

# MOC3051 MOC3052

**ELECTRICAL CHARACTERISTICS** ( $T_A = 25^\circ\text{C}$  unless otherwise noted)

Characteristic	Symbol	Min	Typ	Max	Unit
<b>INPUT LED</b>					
Reverse Leakage Current ( $V_R = 3\text{ V}$ )	$I_R$	—	0.05	100	$\mu\text{A}$
Forward Voltage ( $I_F = 10\text{ mA}$ )	$V_F$	—	1.15	1.5	Volts

**OUTPUT DETECTOR** ( $I_F = 0$  unless otherwise noted)

Peak Blocking Current, Either Direction (Rated $V_{DRM}$ , Note 1) @ $I_{FT}$ per device	$I_{DRM}$	—	10	100	nA
Peak On-State Voltage, Either Direction ( $I_{TM} = 100\text{ mA Peak}$ )	$V_{TM}$	—	1.7	2.5	Volts
Critical Rate of Rise of Off-State Voltage @ 400 V (Refer to test circuit, Figure 10)	$dv/dt$ static	1000	—	—	$\text{V}/\mu\text{s}$

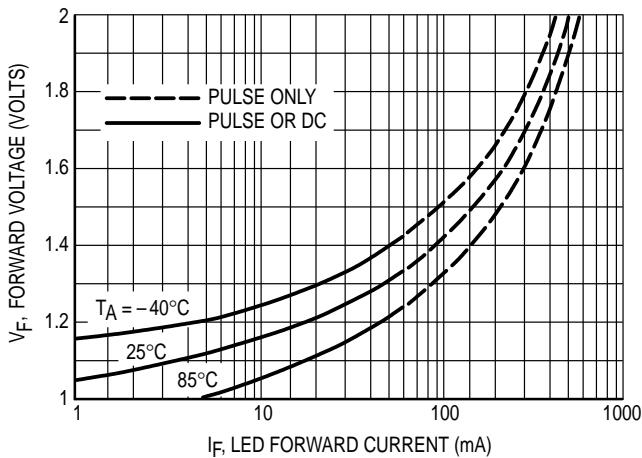
**COUPLED**

LED Trigger Current, Either Direction, Current Required to Latch Output (Main Terminal Voltage = 3 V, Note 2)	$I_{FT}$	—	—	15	mA
		—	—	10	
Holding Current, Either Direction	$I_H$	—	280	—	$\mu\text{A}$

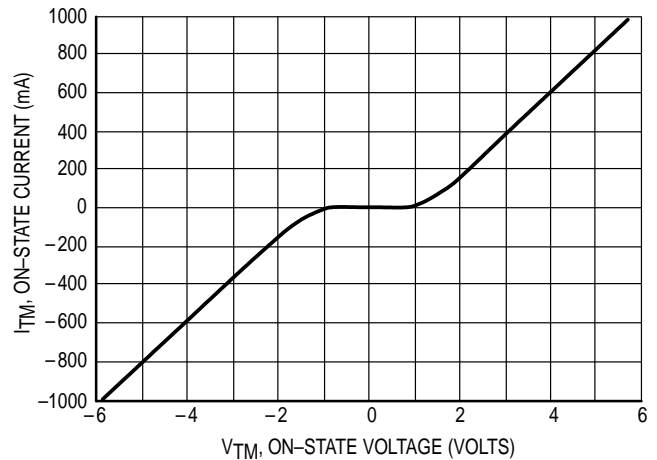
1. Test voltage must be applied within  $dv/dt$  rating.
2. All devices are guaranteed to trigger at an  $I_F$  value less than or equal to max  $I_{FT}$ . Therefore, recommended operating  $I_F$  lies between max 15 mA for MOC3051, 10 mA for 3052 and absolute max  $I_F$  (60 mA).

## TYPICAL ELECTRICAL CHARACTERISTICS

$T_A = 25^\circ\text{C}$



**Figure 1. LED Forward Voltage versus Forward Current**



**Figure 2. On-State Characteristics**

TYPICAL ELECTRICAL CHARACTERISTICS

T<sub>A</sub> = 25°C

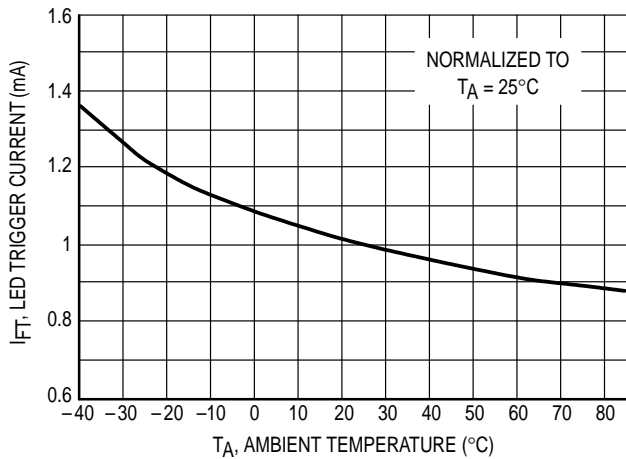


Figure 3. Trigger Current versus Temperature

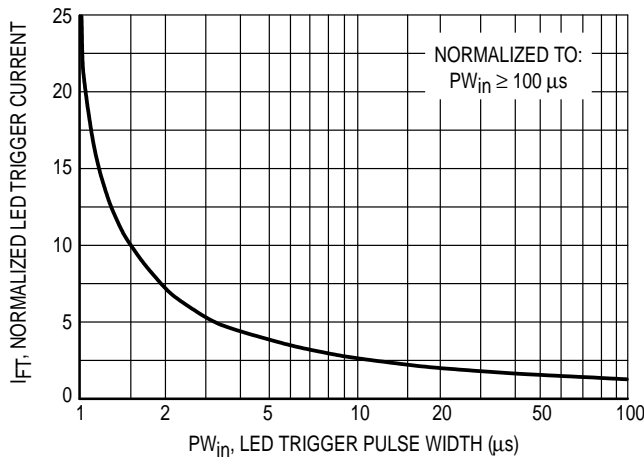


Figure 4. LED Current Required to Trigger versus LED Pulse Width

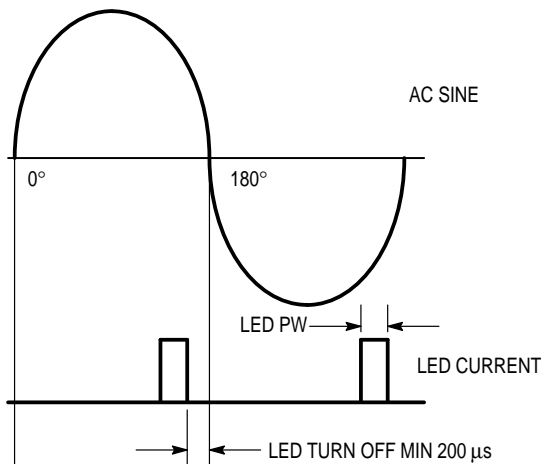


Figure 5. Minimum Time for LED Turn-Off to Zero Cross of AC Trailing Edge

I<sub>FT</sub> versus Temperature (normalized)

This graph shows the increase of the trigger current when the device is expected to operate at an ambient temperature below 25°C. Multiply the normalized I<sub>FT</sub> shown on this graph with the data sheet guaranteed I<sub>FT</sub>.

Example:

T<sub>A</sub> = -40°C, I<sub>FT</sub> = 10 mA

I<sub>FT</sub> @ -40°C = 10 mA x 1.4 = 14 mA

Phase Control Considerations

LED Trigger Current versus PW (normalized)

Random Phase Triac drivers are designed to be phase controllable. They may be triggered at any phase angle within the AC sine wave. Phase control may be accomplished by an AC line zero cross detector and a variable pulse delay generator which is synchronized to the zero cross detector. The same task can be accomplished by a microprocessor which is synchronized to the AC zero crossing. The phase controlled trigger current may be a very short pulse which saves energy delivered to the input LED. LED trigger pulse currents shorter than 100 μs must have an increased amplitude as shown on Figure 4. This graph shows the dependency of the trigger current I<sub>FT</sub> versus the pulse width t (PW). The reason for the I<sub>FT</sub> dependency on the pulse width can be seen on the chart delay t(d) versus the LED trigger current.

I<sub>FT</sub> in the graph I<sub>FT</sub> versus (PW) is normalized in respect to the minimum specified I<sub>FT</sub> for static condition, which is specified in the device characteristic. The normalized I<sub>FT</sub> has to be multiplied with the devices guaranteed static trigger current.

Example:

Guaranteed I<sub>FT</sub> = 10 mA, Trigger pulse width PW = 3 μs

I<sub>FT</sub> (pulsed) = 10 mA x 5 = 50 mA

Minimum LED Off Time in Phase Control Applications

In Phase control applications one intends to be able to control each AC sine half wave from 0 to 180 degrees. Turn on at zero degrees means full power and turn on at 180 degree means zero power. This is not quite possible in reality because triac driver and triac have a fixed turn on time when activated at zero degrees. At a phase control angle close to 180 degrees the driver's turn on pulse at the trailing edge of the AC sine wave must be limited to end 200 μs before AC zero cross as shown in Figure 5. This assures that the triac driver has time to switch off. Shorter times may cause loss of control at the following half cycle.

TYPICAL ELECTRICAL CHARACTERISTICS

$T_A = 25^\circ\text{C}$

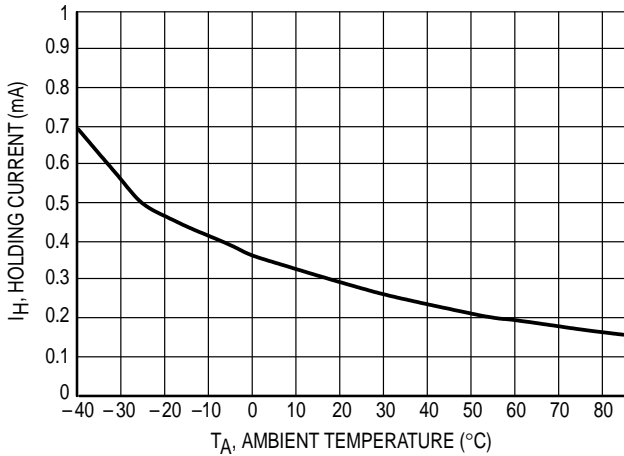


Figure 6. Holding Current,  $I_H$  versus Temperature

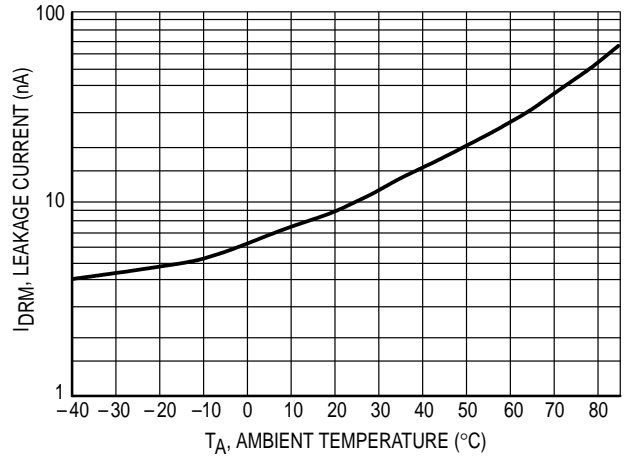


Figure 7. Leakage Current,  $I_{DRM}$  versus Temperature

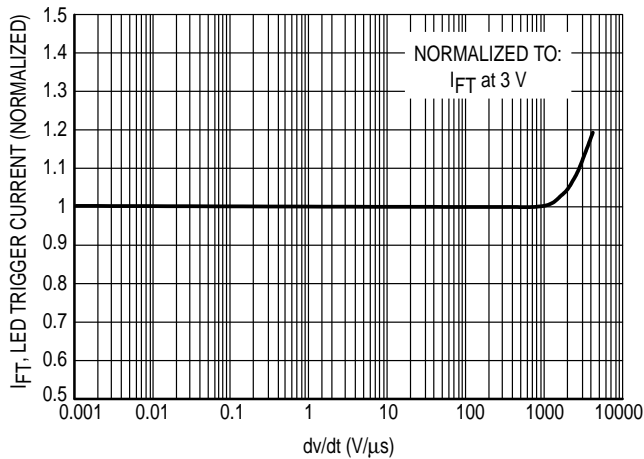


Figure 8. ED Trigger Current,  $I_{FT}$ , versus  $dv/dt$

**$I_{FT}$  versus  $dv/dt$**

Triac drivers with good noise immunity ( $dv/dt$  static) have internal noise rejection circuits which prevent false triggering of the device in the event of fast raising line voltage transients. Inductive loads generate a commutating  $dv/dt$  that may activate the triac drivers noise suppression circuits. This prevents the device from turning on at its specified trigger current. It will in this case go into the mode of "half waving" of the load. Half waving of the load may destroy the power triac and the load.

Figure 8 shows the dependency of the triac drivers  $I_{FT}$  versus the reapplied voltage rise with a  $V_p$  of 400 V. This  $dv/dt$  condition simulates a worst case commutating  $dv/dt$  amplitude.

It can be seen that the  $I_{FT}$  does not change until a commutating  $dv/dt$  reaches 1000 V/ $\mu\text{s}$ . Practical loads generate a commutating  $dv/dt$  of less than 50 V/ $\mu\text{s}$ . The data sheet specified  $I_{FT}$  is therefore applicable for all practical inductive loads and load factors.

TYPICAL ELECTRICAL CHARACTERISTICS

T<sub>A</sub> = 25°C

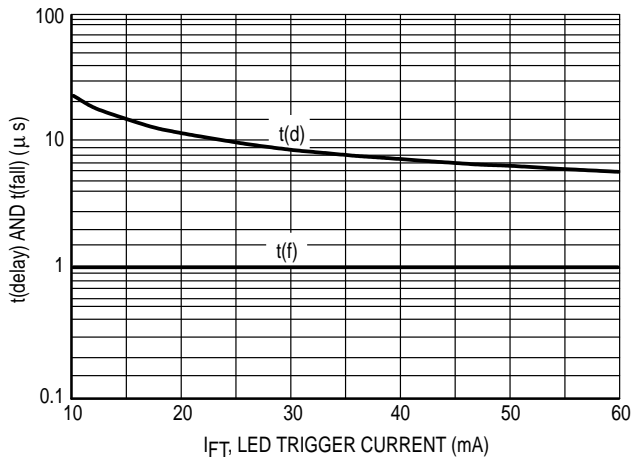


Figure 9. Delay Time, t(d), and Fall Time, t(f), versus LED Trigger Current

t(delay), t(f) versus I<sub>FT</sub>

The triac driver's turn on switching speed consists of a turn on delay time t(d) and a fall time t(f). Figure 9 shows that the delay time depends on the LED trigger current, while the actual trigger transition time t(f) stays constant with about one micro second.

The delay time is important in very short pulsed operation because it demands a higher trigger current at very short trigger pulses. This dependency is shown in the graph I<sub>FT</sub> versus LED PW.

The turn on transition time t(f) combined with the power triac's turn on time is important to the power dissipation of this device.

Switching Time Test Circuit

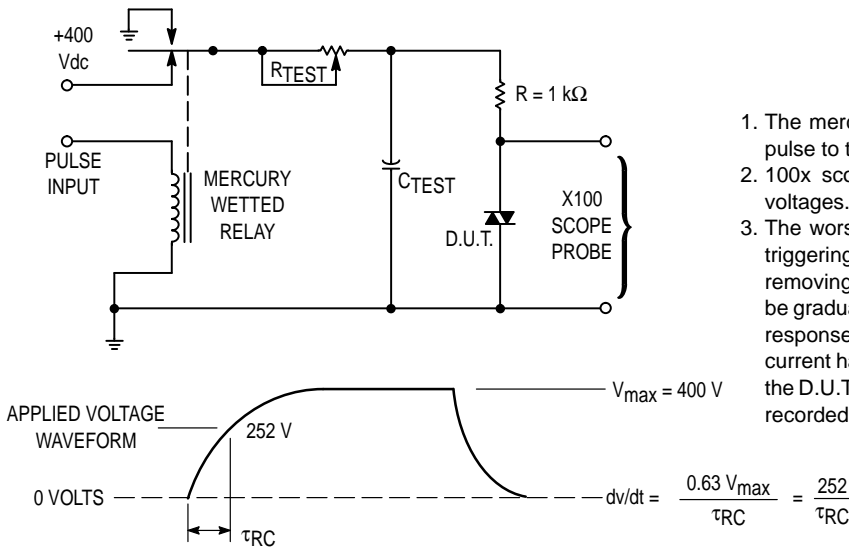
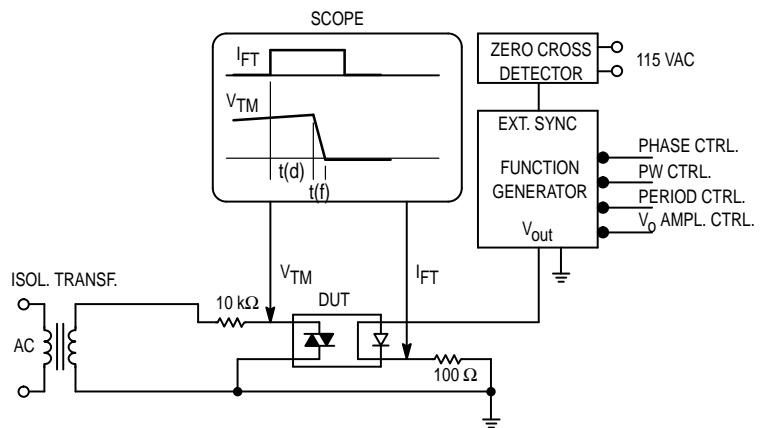


Figure 10. Static dv/dt Test Circuit

1. The mercury wetted relay provides a high speed repeated pulse to the D.U.T.
2. 100x scope probes are used, to allow high speeds and voltages.
3. The worst-case condition for static dv/dt is established by triggering the D.U.T. with a normal LED input current, then removing the current. The variable R<sub>TEST</sub> allows the dv/dt to be gradually increased until the D.U.T. continues to trigger in response to the applied voltage pulse, even after the LED current has been removed. The dv/dt is then decreased until the D.U.T. stops triggering. τ<sub>RC</sub> is measured at this point and recorded.

**Basic Triac Driver Circuit**

The new random phase triac driver family MOC3052 and MOC3051 are very immune to static dv/dt which allows snubberless operations in all applications where external generated noise in the AC line is below its guaranteed dv/dt withstand capability. For these applications a snubber circuit is not necessary when a noise insensitive power triac is used. Figure 11 shows the circuit diagram. The triac driver is directly connected to the triac main terminal 2 and a series Resistor R which limits the current to the triac driver. Current limiting resistor R must have a minimum value which restricts the current into the driver to maximum 1A.

$$R = V_p AC / I_{TM} \text{ max rep.} = V_p AC / 1A$$

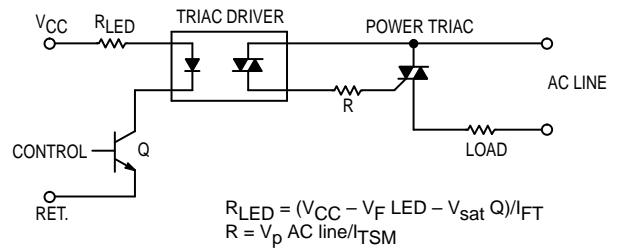
The power dissipation of this current limiting resistor and the triac driver is very small because the power triac carries the load current as soon as the current through driver and current limiting resistor reaches the trigger current of the power triac. The switching transition times for the driver is only one micro second and for power triacs typical four micro seconds.

**Triac Driver Circuit for Noisy Environments**

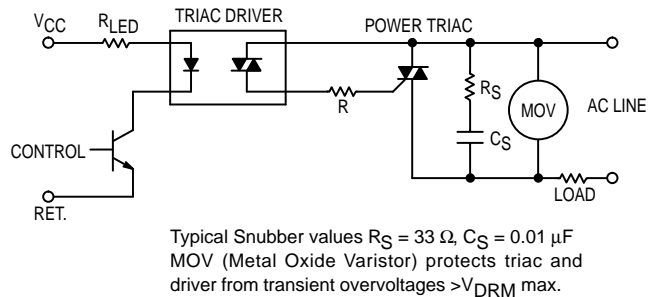
When the transient rate of rise and amplitude are expected to exceed the power triacs and triac drivers maximum ratings a snubber circuit as shown in Figure 12 is recommended. Fast transients are slowed by the R-C snubber and excessive amplitudes are clipped by the Metal Oxide Varistor MOV.

**Triac Driver Circuit for Extremely Noisy Environments,**  
as specified in the noise standards IEEEE472 and IEC255-4.

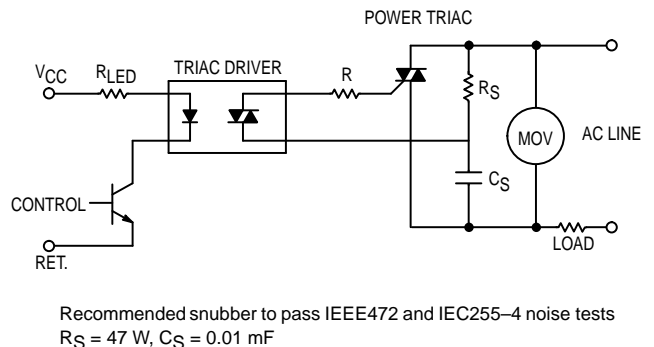
Industrial control applications do specify a maximum transient noise dv/dt and peak voltage which is superimposed onto the AC line voltage. In order to pass this environment noise test a modified snubber network as shown in Figure 13 is recommended.



**Figure 11. Basic Driver Circuit**

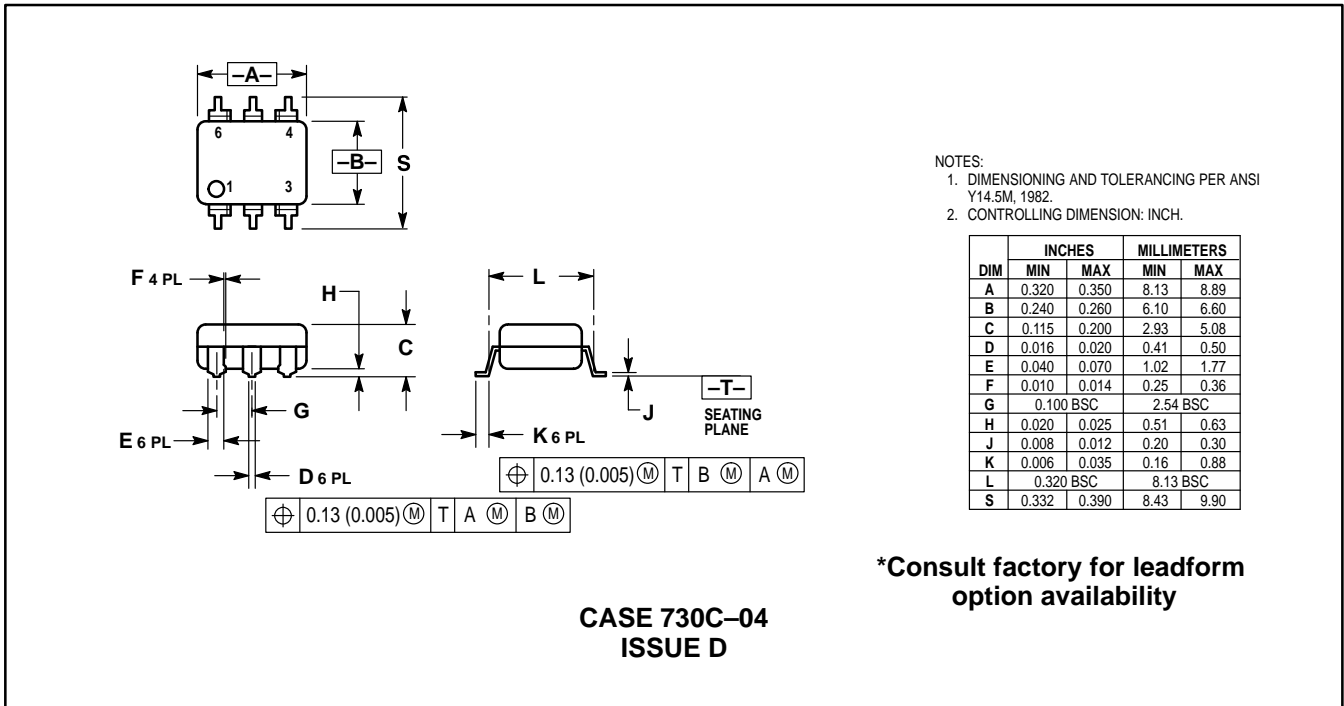
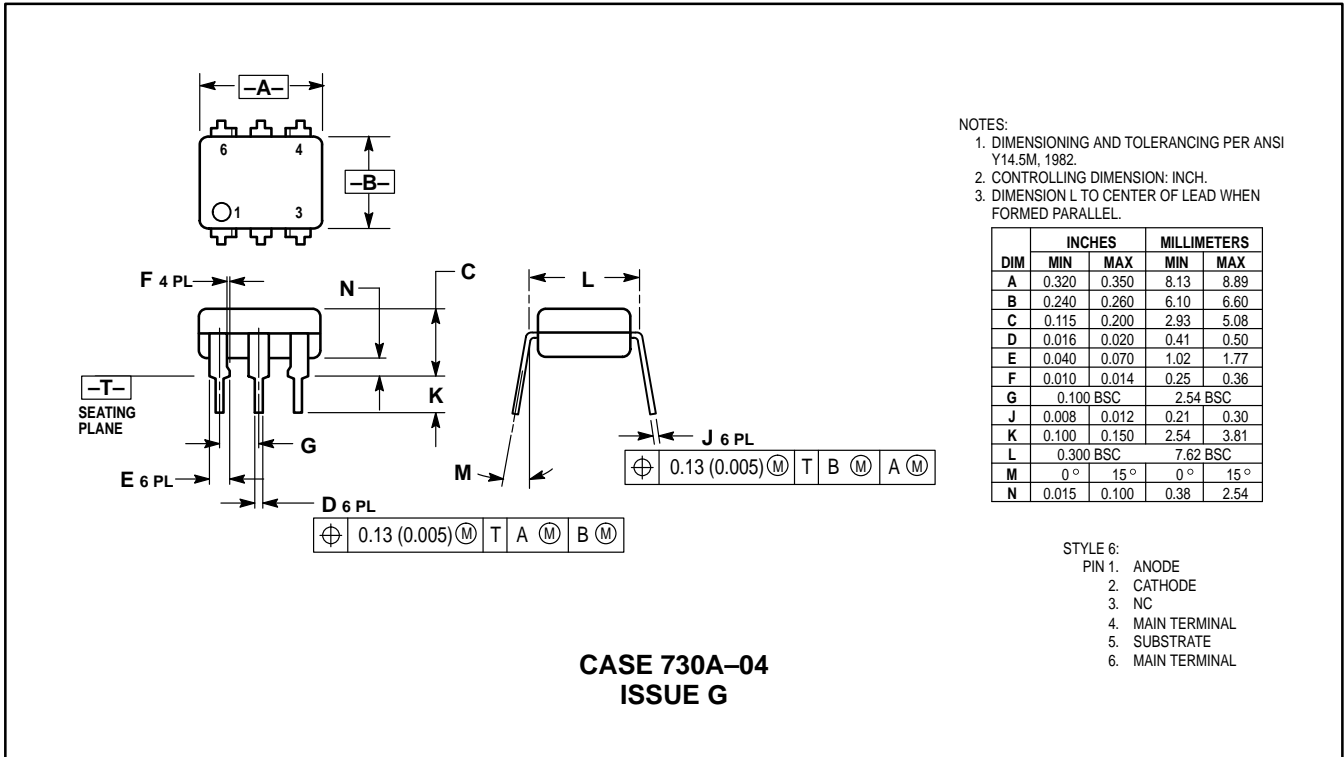


**Figure 12. Triac Driver Circuit for Noisy Environments**



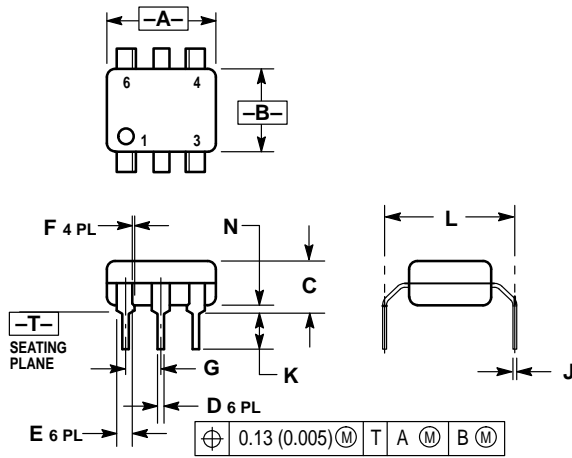
**Figure 13. Triac Driver Circuit for Extremely Noisy Environments**

PACKAGE DIMENSIONS





# MOC3051 MOC3052



- NOTES:
1. DIMENSIONING AND TOLERANCING PER ANSI Y14.5M, 1982.
  2. CONTROLLING DIMENSION: INCH.
  3. DIMENSION L TO CENTER OF LEAD WHEN FORMED PARALLEL.

DIM	INCHES		MILLIMETERS	
	MIN	MAX	MIN	MAX
A	0.320	0.350	8.13	8.89
B	0.240	0.260	6.10	6.60
C	0.115	0.200	2.93	5.08
D	0.016	0.020	0.41	0.50
E	0.040	0.070	1.02	1.77
F	0.010	0.014	0.25	0.36
G	0.100 BSC		2.54 BSC	
J	0.008	0.012	0.21	0.30
K	0.100	0.150	2.54	3.81
L	0.400	0.425	10.16	10.80
N	0.015	0.040	0.38	1.02

**\*Consult factory for leadform option availability**

**CASE 730D-05  
ISSUE D**

Motorola reserves the right to make changes without further notice to any products herein. Motorola makes no warranty, representation or guarantee regarding the suitability of its products for any particular purpose, nor does Motorola assume any liability arising out of the application or use of any product or circuit, and specifically disclaims any and all liability, including without limitation consequential or incidental damages. "Typical" parameters can and do vary in different applications. All operating parameters, including "Typicals" must be validated for each customer application by customer's technical experts. Motorola does not convey any license under its patent rights nor the rights of others. Motorola products are not designed, intended, or authorized for use as components in systems intended for surgical implant into the body, or other applications intended to support or sustain life, or for any other application in which the failure of the Motorola product could create a situation where personal injury or death may occur. Should Buyer purchase or use Motorola products for any such unintended or unauthorized application, Buyer shall indemnify and hold Motorola and its officers, employees, subsidiaries, affiliates, and distributors harmless against all claims, costs, damages, and expenses, and reasonable attorney fees arising out of, directly or indirectly, any claim of personal injury or death associated with such unintended or unauthorized use, even if such claim alleges that Motorola was negligent regarding the design or manufacture of the part. Motorola and  $\text{M}$  are registered trademarks of Motorola, Inc. Motorola, Inc. is an Equal Opportunity/Affirmative Action Employer.

**How to reach us:**

**USA / EUROPE:** Motorola Literature Distribution;  
P.O. Box 20912; Phoenix, Arizona 85036. 1-800-441-2447

**JAPAN:** Nippon Motorola Ltd.; Tatsumi-SPD-JLDC, Toshikatsu Otsuki,  
6F Seibu-Butsuryu-Center, 3-14-2 Tatsumi Koto-Ku, Tokyo 135, Japan. 03-3521-8315

**MFAX:** RMFAX0@email.sps.mot.com – TOUCHTONE (602) 244-6609  
**INTERNET:** http://Design-NET.com

**HONG KONG:** Motorola Semiconductors H.K. Ltd.; 8B Tai Ping Industrial Park,  
51 Ting Kok Road, Tai Po, N.T., Hong Kong. 852-26629298

