

atrin **electronic**

Expertise, variety and quality



www.atrinelec.com

آترین الکترونیک

تخصص، تنوع و کیفیت

02166766957 - 02166766927



info@atrinelec.com

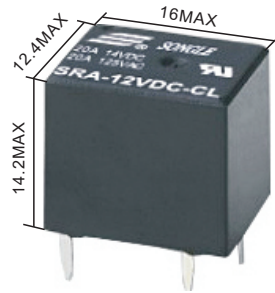


تهران پاساژ امجد طبقه 1 واحد 16



@atrinelec





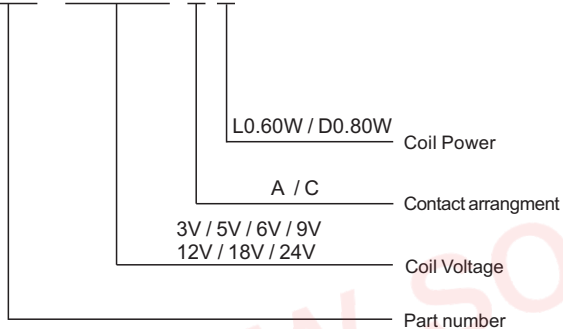
Features

- Miniature volume, PCB usage
- Contact rating: 10A/20A
- Temperature range: -40°C/+85°C

RoHS
Compliant

Ordering Information

SRA-12VDC-CL



Contact Rating

Contact arrangement	A / B / C
Contact resistance	100mΩ (1A 6VDC)
Contact material	Silver alloy: AgCdO, AgSnO ₂ , AgNi
Contact rating	20A/14VAC 10A/125VAC
Max switching voltage	125VAC
Max switching current	10A
Max switching power	1250VA
Electrical endurance (frequency: 1800 ops/h)	1x10 ⁵ ops / 1x10 ⁴ ops
Mechanical endurance (frequency: 18000 ops/h)	1x10 ⁷ ops

Characteristics

Insulation system	B / F	
Insulation resistance	100MΩ (500VDC)	
Dielectric Strength	Between contacts and coil	1500VAC 1 minute
	Between open contacts	500VAC 1 minute
Leakage current 1mA	500VAC 1 minute	
Operate time(Under nominal voltage)	≤10ms	
Release time(Under nominal voltage)	≤10ms	
Humidity	45% ~85% RH (20°C)	
Ambient Temperature	-40°C~+85°C	
Shock resistance	Functional	98m/s ²
	Destructive	980m/s ²
Vibration resistance (Double amplitude)	10Hz~55Hz 1.5mm	
Weight	Approx 6g	
Construction	Sealed	

Remark: 1) All above data is initial value

Coil Data

(at 20°C)

Power dissipation W	Voltage VDC	Current mA	Resistance Ω ± 10%	Pick-up voltage	Drop-out voltage	Max allowable
0.60W (L)	03	200	15	75%Max	10%Min	110%
	05	120	42			
	06	100	60			
	09	66.7	135			
	12	50	240			
	18	33	540			
0.80W (D)	24	25	960	75%Max	10%Min	110%
	03	267	11.25			
	05	160	31.25			
	06	133.4	45			
	09	100	90			
	12	66.7	180			
	18	44.4	405			
	24	33.4	720			


This product specification only for your reference, we will not notify you if we do any improvement. We reserve all the right for the final explanation



Web: www.songle.com www.songlerelay.com

Add.: CW7, Zone A, Far East Industrial Park, Yuyao City, Zhejiang, China Zip Code: 315400

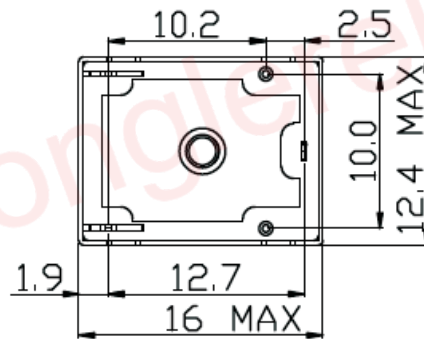
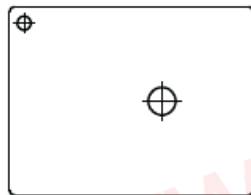
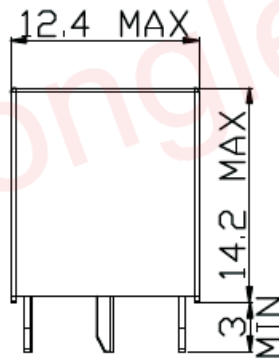
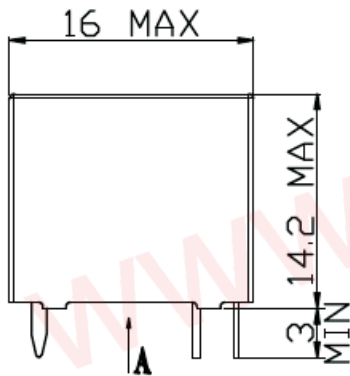
Safety Approval Ratings

	
10A	125VAC
5A	125VAC

OUTLINE DIMENSIONS ,WIRING DIAGRAM AND PC BOARD LAYOUT

Unit:mm

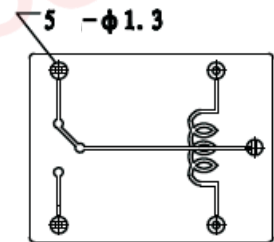
Physical installation diagram



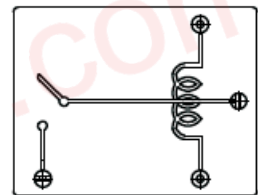
(Bottom view)

Tolerance: ± 0.1 mm

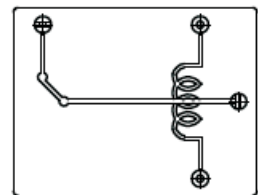
PCB board diagram
(bottom view diagram)



Conversion C type



Normally open A type



Normally closed B type

This product specification only for your reference. we will not notify you if we do any improvement. We reserve all the right for the final explanation