

atrin **electronic**

Expertise, variety and quality



www.atrinelec.com

آترین الکترونیک

تخصص، تنوع و کیفیت

02166766957 - 02166766927



info@atrinelec.com



تهران پاساژ امجد طبقه 1 واحد 16



@atrinelec

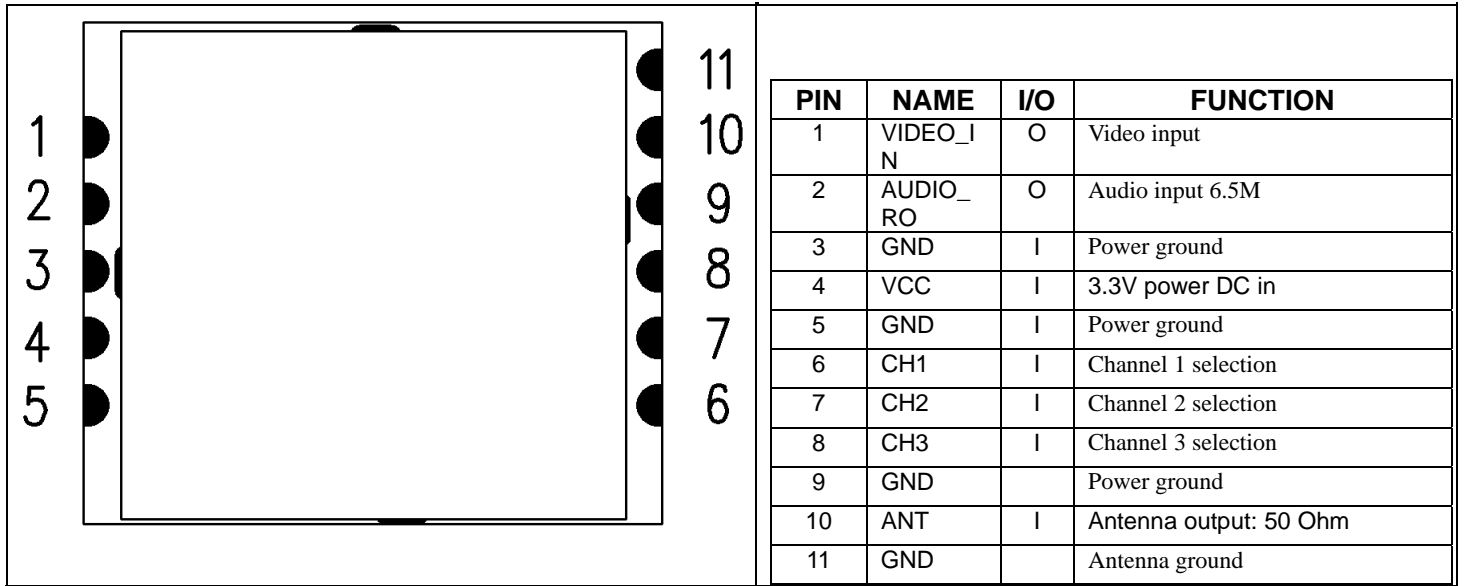


PRODUCT SPECIFICATION

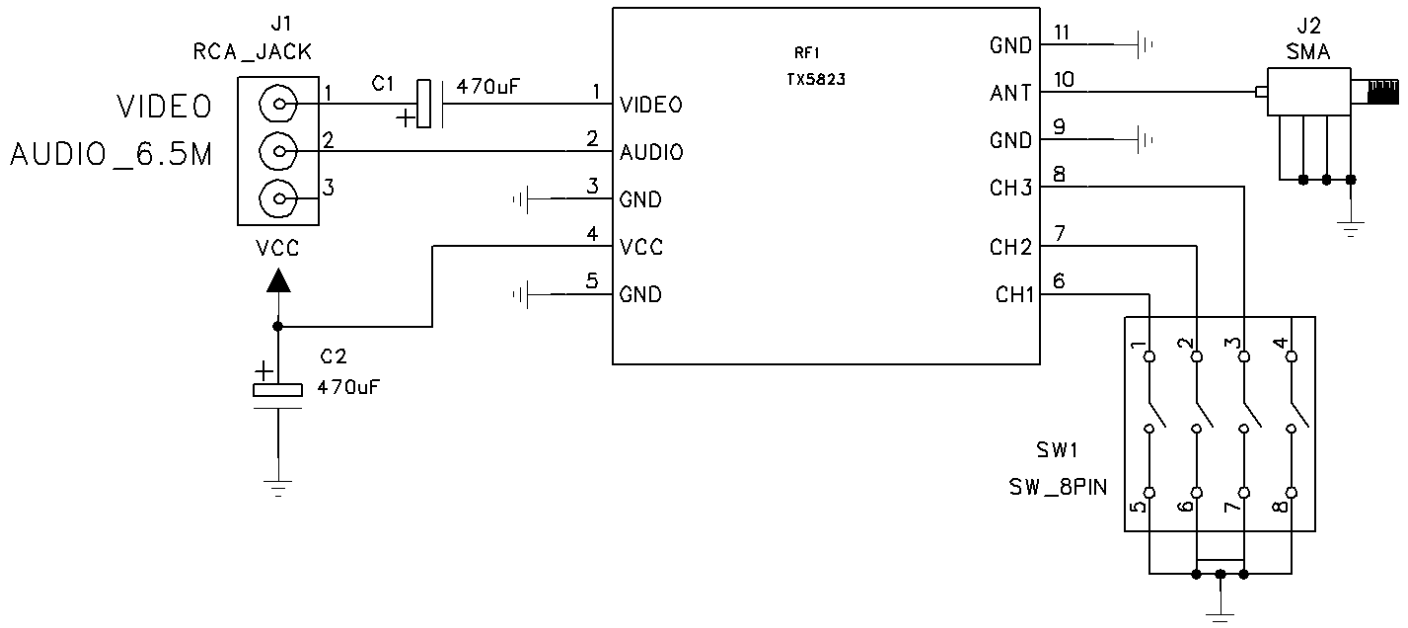
Date: 2009/09/15 V1.0

MODE: TX5823						
5.8G 200mW 8 Channel AV Transmitter Module						
	Modulate	Wideband FM Modulate				
	Video Format	NTSC/PAL				
	Characteristics	Value			Units	
		Min.	Typ.	Max.		
1	Output Impedance	---	50	---	Ohm	
2	Output Power	22	23	24	dBm	
3	Transmitter Frequency	5705		5945	MHz	
4	Operating Voltage	3.2	3.3	3.4	V	
5	Supply current	---	320	340	mA	
6	Operating Temperature	-10	---	+85	°C	
7	Video Band Width	0	---	8.0	MHz	
8	Audio carrier Frequency	---	6.5	---	MHz	
9	Video Input Level	0.8	1.0	1.2	Vp-p	
10	Video Input Impedance	---	75	---	Ohm	
11	Audio Input Level	0.5	---	2.0	Vp-p	
12	Audio Input Impedance	---	10K	---	Ohm	
13	Weight	---	10	---	g	
14	Dimensions (L x W x H)	22x20x3 mm				
15	Weight	G				

Pin descriptions



Application diagram



Channel selection

Channel number	CH1	CH2	CH3	CH4	CH5	CH6	CH7	CH8	
RX frequency(MHz)	5705	5685	5665	5645	5885	5905	5925	5945	
Pin level	CH1	0	1	0	1	0	1	0	1
	CH2	0	0	1	1	0	0	1	1
	CH3	0	0	0	0	1	1	1	1

dimensions

