

atrin **electronic**

Expertise, variety and quality



www.atrinelec.com

آترین الکترونیک

تخصص، تنوع و کیفیت

02166766957 - 02166766927



info@atrinelec.com



تهران پاساژ امجد طبقه 1 واحد 16



@atrinelec



Prospective Data
Pulse Thyristor
 Type Y5002NC250

Absolute Maximum Ratings

	VOLTAGE RATINGS	MAXIMUM LIMITS	UNITS
V_{DRM}	Repetitive peak off-state voltage, (note 1)	2500	V
V_{DSM}	Non-repetitive peak off-state voltage, (note 1)	2500	V
V_{RRM}	Repetitive peak reverse voltage, (note 1)	2000	V
V_{RSM}	Non-repetitive peak reverse voltage, (note 1)	2100	V
V_{DC}	Permanent dc voltage	1500	V

	OTHER RATINGS	MAXIMUM LIMITS	UNITS
I_{TM}	Maximum pulse current, (note 2)	50	kA
I^2t	Load limit integral, (note 2)	312.5×10^3	A^2s
$I_{T(AV)M}$	Maximum average on-state current. $T_{sink}=85^\circ C$, (note 3)	700	A
$(di/dt)_{cr}$	Critical rate of rise of on-state current (non-repetitive), (Note 4)	11	$kA/\mu s$
V_{RGM}	Peak reverse gate voltage	18	V
$T_{j op}$	Operating temperature range	-40 to +125	$^\circ C$
T_{stg}	Storage temperature range	-40 to +150	$^\circ C$

Notes:-

- 1) $V_{GK}=-2V$
- 2) $T_j=125^\circ C$, half-sinewave, $t_{p(max)}=250\mu s$
- 3) Double side cooled, single phase; 50Hz, 180° half-sinewave.

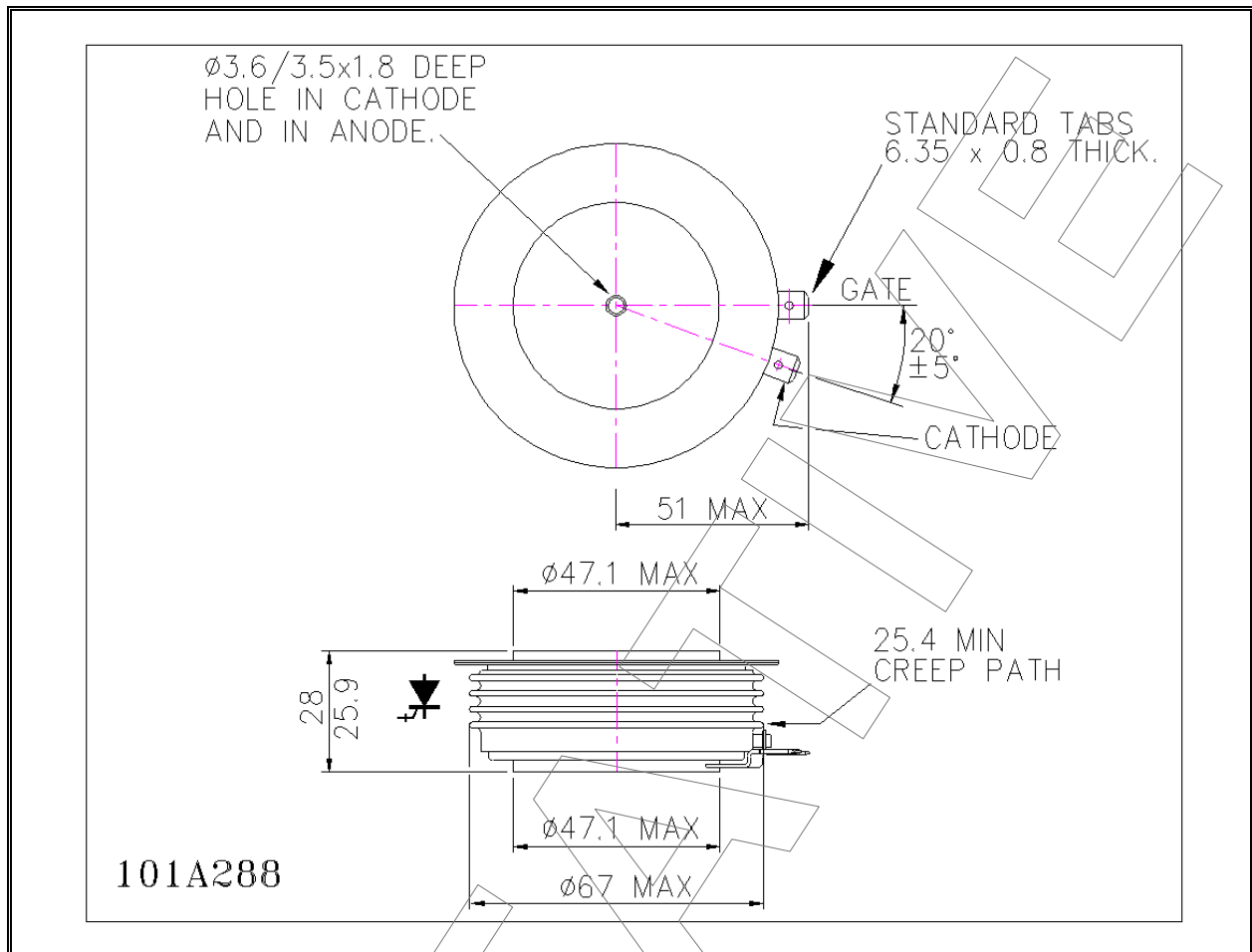
Characteristics

	PARAMETER	MIN.	TYP.	MAX.	TEST CONDITIONS (Note 1)	UNITS
V _{TM}	Maximum peak on-state voltage	-	-	10	I _G =4A, I _{TM} =10000A	V
V _{T0}	Threshold voltage	-	-	1.755		V
r _T	Slope resistance	-	-	1.122		mΩ
(dv/dt) _{cr}	Critical rate of rise of off-state voltage	1000	-	-	V _D =67% V _{DRM} , Linear ramp, V _{GK} =-2V	V/μs
I _{DRM}	Peak off-state current	-	-	100	Rated V _{DRM}	mA
I _{RRM}	Peak reverse current	-	-	100	Rated V _{RRM}	mA
I _L	Latching current	-	10	-	T _j =25°C	A
I _H	Holding current	-	10	-		A
I _{GT}	Nominal gate trigger current	-	-	80	di _G /dt=100A/μs, T _j =25°C	A
t _{gd}	Gate controlled turn-on delay time	-	0.9	-	V _D =1500V, I _{TM} =25kA, di/dt=5500A/μs,	μs
t _{gt}	Turn-on time	-	1.0	-	I _{FG} =50A, di _G /dt=100A/μs, T _j =25°C.	
R _{thJK}	Thermal resistance, junction to heatsink	-	-	0.027	Double side cooled	K/W
		-	-	0.045	Anode side cooled	K/W
		-	-	0.07	Cathode side cooled	K/W
F	Mounting force	15	-	25		kN
W _t	Weight	-	480	-		g

Notes:-

- 1) Unless otherwise indicated T_j=125°C.

Outline Drawing & Ordering Information



ORDERING INFORMATION

(Please quote 10 digit code as below)

Y5002	NC	◆◆	0
Fixed Type Code	Fixed Outline Code	Fixed Voltage Code V _{DRM} /100 25	Fixed code

Typical order code: Y5002NC250 – 2500V V_{DRM}, 28mm clamp height capsule.

IXYS Semiconductor GmbH
Edisonstraße 15
D-68623 Lampertheim
Tel: +49 6206 503-0
Fax: +49 6206 503-627
E-mail: marcom@ixys.de

IXYS Corporation
3540 Bassett Street
Santa Clara CA 95054 USA
Tel: +1 (408) 982 0700
Fax: +1 (408) 496 0670
E-mail: sales@ixys.net

WESTCODE
An IXYS Company

www.westcode.com

www.ixys.net

Westcode Semiconductors Ltd
PO Box 57 Chippenham
Wiltshire SN15 1JL
Tel: +44 (0)1249 444524
Fax: +44 (0)1249 659448
E-mail: WSL.sales@westcode.com

Westcode Semiconductors Inc
3270 Cherry Avenue
Long Beach CA 90807 USA
Tel: +1 (562) 595 6971
Fax: +1 (562) 595 8182
E-mail: WSI.sales@westcode.com

The information contained herein is confidential and is protected by Copyright. The information may not be used or disclosed except with the written permission of and in the manner permitted by the proprietors Westcode Semiconductors Ltd.

© Westcode Semiconductors Ltd.

In the interest of product improvement, Westcode reserves the right to change specifications at any time without prior notice.

Devices with a suffix code (2-letter or letter/digit/letter combination) added to their generic code are not necessarily subject to the conditions and limits contained in this report.