

atrin **electronic**

Expertise, variety and quality



www.atrinelec.com

آترین الکترونیک

تخصص، تنوع و کیفیت

02166766957 - 02166766927



info@atrinelec.com



تهران پاساژ امجد طبقه 1 واحد 16



@atrinelec



DESCRIPTION

The PT2221M and PT2222M are remote control transmitters utilizing CMOS technology specially designed for use on infrared remote control applications. They are pin-to-pin compatible with NEC μ PD6121 and μ PD6122 respectively. PT2221M is packaged in 20 pins SO and capable of controlling 32 functions and 3 double keys. PT2222M, on the other hand, is housed in 24 pins SOP and capable of controlling 64 function keys and 3 double keys. PT2221M/PT2222M may be paired with PT2225 to construct a powerful remote control system.

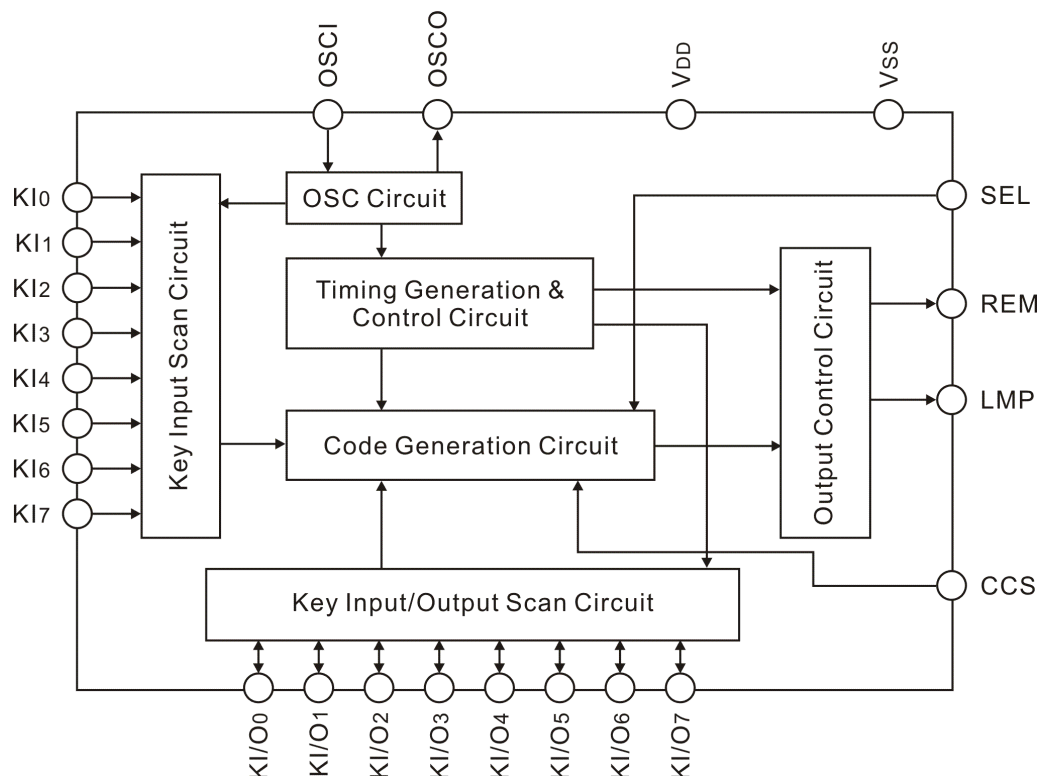
FEATURES

- CMOS technology
- Low power consumption (VDD=2.0 to 3.3V)
- Pin-to-Pin compatible with μ PD6121/ μ PD6122
- Using SEL pin, PT2221M can support 64+6 function codes
- Using SEL pin, PT2222M can support 128+6 function codes
- Customer code can be selected (please contact PTC for details)
- Available in COB package

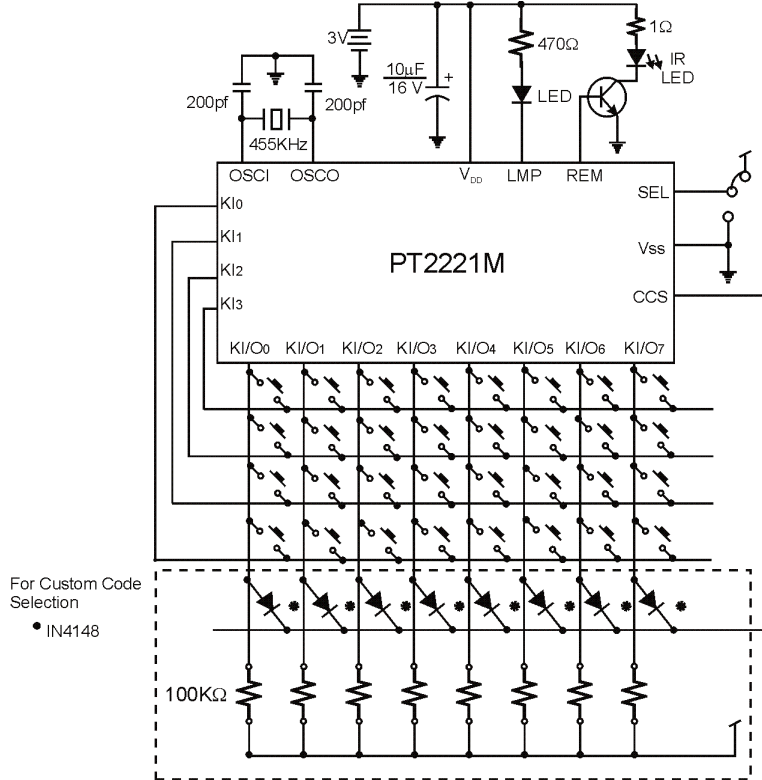
APPLICATIONS

- Audio equipment
- Television (TV)
- Cable TV tuner
- Video cassette recorder (VCR)
- Cassette deck
- Air conditioner
- Video compact disk (VCD)
- DVD ROM player
- Moniputer/Multi-media personal computer system

BLOCK DIAGRAM

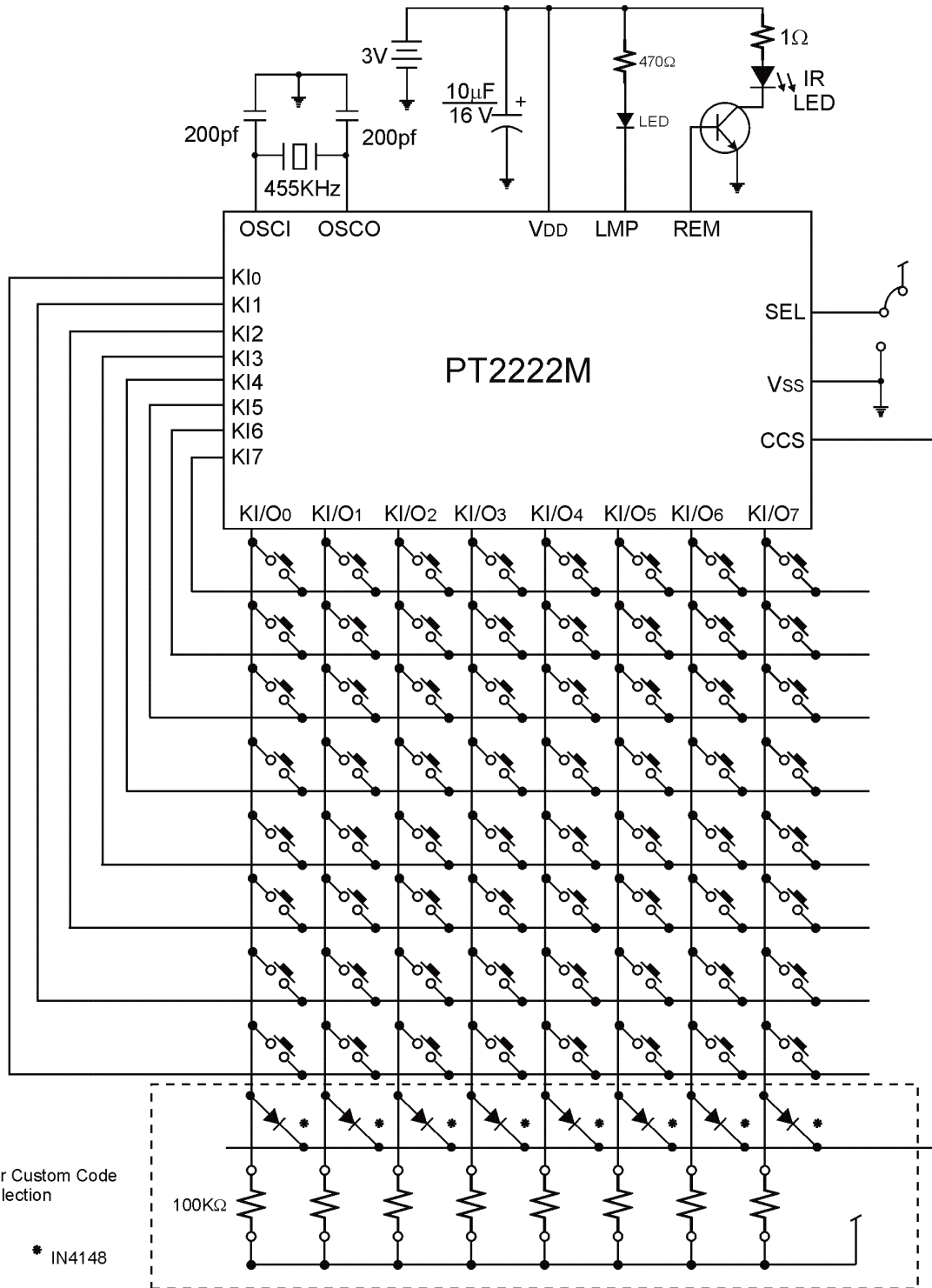


APPLICATION CIRCUIT 1



Note:
 The Vcc and Vss Terminals must be "SHORT" before the batteries are loaded to the transmitter handset to insure that PT2221M Power On Reset Function will operate properly.

APPLICATION CIRCUIT 2



Note:
The Vcc and Vss Terminals must be "SHORT" before the batteries are loaded to the transmitter handset to insure that PT2222M Power On Reset Function will operate properly.



ORDER INFORMATION

Valid Part Number	Package Type	Top Code
PT2222M-001	COB	-
PT2221M-001-D	20 Pins, DIP, 300mil	PT2221M-001-D
PT2221M-001	20 Pins, SOP, 300mil	PT2221M-001
PT2221M-002	20 Pins, SOP, 300mil	PT2221M-002
PT2222M-001	24 Pins, SOP, 300mil	PT2222M-001
PT2222M-002	24 Pins, SOP, 300mil	PT2222M-002

PIN CONFIGURATION

